

1218 Electronic Tank Gauge Outdoor Ethernet Switch Assemblies

SPECIFICATION SHEET

Description

Connects multiple Ethernet devices together. Can be used to connect multiple devices to a network through a single Ethernet connection. The lockable enclosure is NEMA 4X indoor/outdoor weather protected.

Specifications

- Operating temperature range: -40°F to 140°F (-40°C to 60°C)
- Humidity: 0% to 95% non-condensing
- 100-240 VAC +/- 10%, 50/60 Hz

Materials of Construction

- Console enclosure... Polyester fiberglass

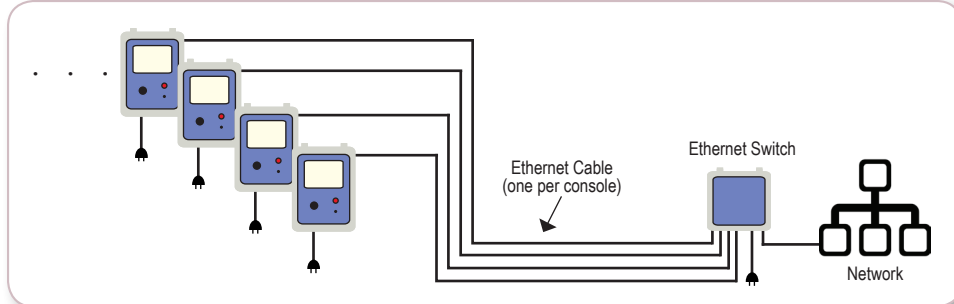


1218C-0171 AS

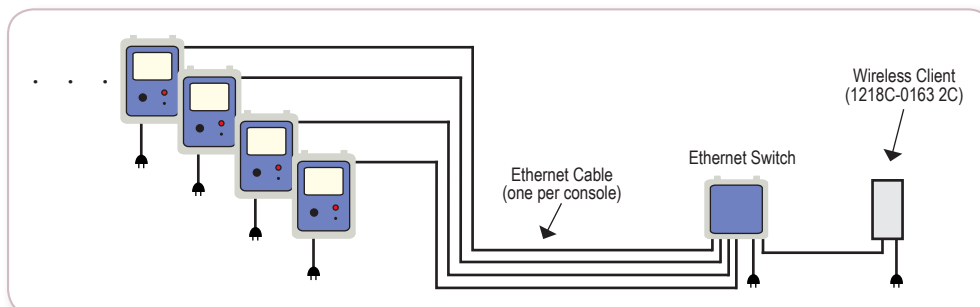
Item Number	Description	Weight (lbs)
1218C-0171 AS	Outdoor 5-Port Ethernet Switch Assembly	3.68
1218C-0172 AS	Outdoor 8-Port Ethernet Switch Assembly	3.84

Connectivity Options

Connect multiple 1218C devices to a network.



Connect multiple 1218C devices to a Wireless Client.



Continued on next page.



Connect multiple 1218C devices to a Cellular Gateway.

