

Morrison Bros. Co.

Fig. 128 Drain Valve Series

Specification Sheet

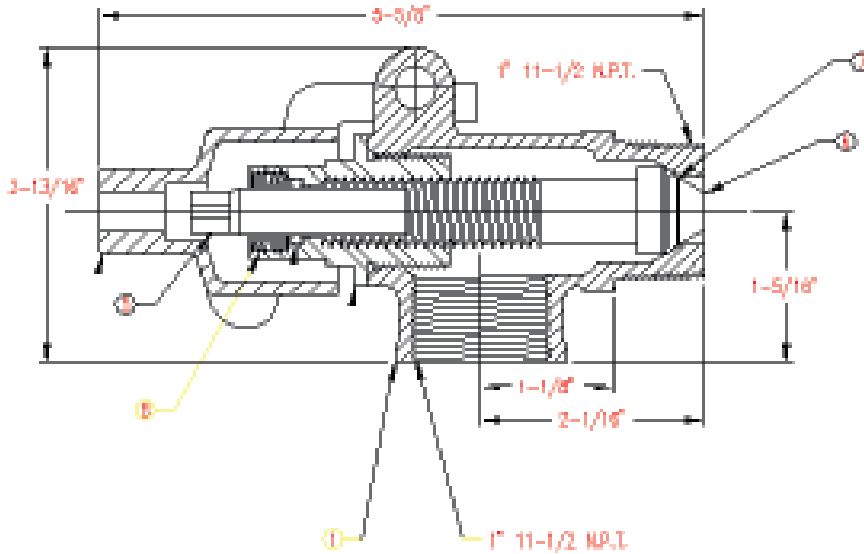


Fig. 128

The Frost Proof Drain Valve is mounted at the bottom of an aboveground storage tank. It is designed to allow drainage of water and sediment from the bottom of the tank shell. It comes with a standard locking cover to prevent tampering which acts as a wrench to open and close the valve. The Fig 128DIS valve has a ductile iron body, stainless steel internals, and PTFE encapsulated fluoroelastomer o-rings for maximum corrosion resistance. The Fig. 128 is all brass.

SPECIFICATION / DETAIL OPTIONS

- A - Size: 1" N.P.T. Threads
- B - Body material: Brass (BR), Ductile Iron (DI)
- C - Stem material: Brass (BR), Stainless Steel (SS)
- D - Seat: Metal seat (BLANK),
PTFE encapsulated Fluoroelastomer o-ring (O)
- E - Packing: PTFE packing (TFE)
PTFE encapsulated Fluoroelastomer o-ring (O)
- F - Cap/Seal nut material: Brass (BR), Stainless Steel (SS)
- G - Length (inches)
- H - Height (inches)
- I - Shipping weight (lbs)

Locking cover: Brass

I.D. NUMBER	A	B	C	D	E	F	G	H	I
128--0100 AV	1	BR	BR		TFE	BR	5.62	2.81	1.8
128DIS0100 AV	1	DI	SS	O	O	SS	5.62	2.81	1.8

Dwg. No. B-6711-S Date: 6/9/95 Drawn By: A.K.

