

Model 272 Internal Emergency Valves

SPECIFICATION SHEET

Application

Designed for installation at the bottom outlet of an aboveground storage tank (AST) where product flow must be stopped in the event of a fire. Fusible link holds the spring loaded valve open until activated.

Features and Details

- Adjustable hold-open mechanism
- 212° UL listed fusible link standard (165° available)
- Shear section model provides added impact protection
- Locking models for added theft deterrent

Materials of Construction

272DI

- Body and plunger... Ductile iron
- Shaft... Stainless steel
- Shaft packing... Teflon®
- O-ring... Teflon® encapsulated Viton® (4" x 3")
- Spring... Stainless steel

272HDI, 272HDS, 272DLS

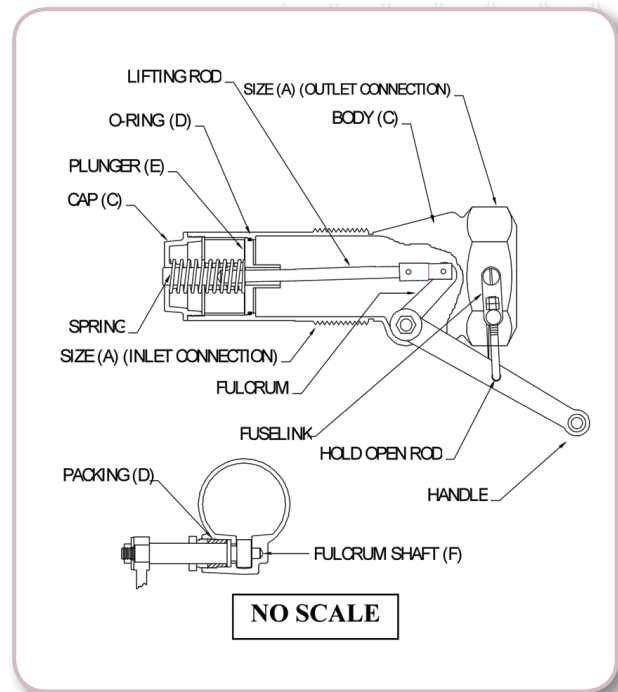
- Body and plunger... Ductile iron
- Shaft... Zinc plated steel
- Shaft packing... Teflon®
- O-ring... Teflon® encapsulated Viton®
- Spring... Stainless steel

272HO, 272HOL, 272HOS, 272HLS

- Body and plunger... Brass
- Shaft Packing... Teflon® impregnated Fiber or Teflon®
- O-ring... Viton® or Teflon®
- Spring... Stainless steel
- Shaft... Zinc plated steel

NOTE

The 272 Series valves require periodic inspection to ensure the shut-off mechanism is operating correctly. They are not intended to be used as a "block valve" and should not be opened under pressure.



Item numbers on next page...



Model 272 Internal Emergency Valves (continued)

| Item Number | Size | Tank Connection | Body/Cap Material | Shear Section | Locking Mechanism | Length | Weight (lbs) |
|---------------|---------|-----------------|-------------------|---------------|-------------------|-----------------------------------|--------------|
| 272DI-0300 AV | 4" x 3" | Flanged | Ductile Iron | No | No | 16 ³ / ₁₆ " | 34.15 |
| 272DI-0400 AV | 6" x 4" | Flanged | Ductile Iron | No | No | 13 ¹ / ₂ " | 42.50 |
| 272DLS0100 AV | 2" x 2" | Male | Ductile Iron | Yes | Yes | 8 ³ / ₄ " | 6.50 |
| 272DLS0500 AV | 3" x 3" | Male | Ductile Iron | Yes | Yes | 10 ⁵ / ₈ " | 11.50 |
| 272HDI0100 AV | 2" x 2" | Male | Ductile Iron | No | No | 8 ³ / ₄ " | 6.22 |
| 272HDI0500 AV | 3" x 3" | Male | Ductile Iron | No | No | 10 ⁵ / ₈ " | 9.66 |
| 272HDI0700 AV | 4" x 4" | Male | Ductile Iron | No | No | 12 ³ / ₈ " | 16.75 |
| 272HDS0100 AV | 2" x 2" | Male | Ductile Iron | Yes | No | 8 ³ / ₄ " | 7.0 |
| 272HDS0500 AV | 3" x 3" | Male | Ductile Iron | Yes | No | 10 ⁵ / ₈ " | 9.68 |
| 272HDS0700 AV | 4" x 4" | Male | Ductile Iron | Yes | No | 12 ³ / ₈ " | 16.30 |
| 272HDL0100 AV | 2" x 2" | Male | Ductile Iron | No | Yes | 8 ³ / ₄ " | 7.0 |
| 272HDL0500 AV | 3" x 3" | Male | Ductile Iron | No | Yes | 10 ⁵ / ₈ " | 10.0 |
| 272HLS0100 AV | 2" x 2" | Male | Brass | Yes | Yes | 8 ³ / ₄ " | 7.0 |
| 272HLS0500 AV | 3" x 3" | Male | Brass | Yes | Yes | 10 ⁵ / ₈ " | 11.46 |
| 272HLS0600 AV | 4" x 3" | Male | Brass | Yes | Yes | 12 ⁵ / ₁₆ " | 16.56 |
| 272HO-0100 AV | 2" x 2" | Male | Brass | No | No | 8 ³ / ₄ " | 6.50 |
| 272HO-0500 AV | 3" x 3" | Male | Brass | No | No | 10 ⁵ / ₈ " | 11.20 |
| 272HO-0600 AV | 4" x 3" | Male | Brass | No | No | 12 ⁵ / ₁₆ " | 16.30 |
| 272HO-0700 AV | 4" x 4" | Male | Brass | No | No | 12 ³ / ₈ " | 19.76 |
| 272HOL0100 AV | 2" x 2" | Male | Brass | No | Yes | 8 ³ / ₄ " | 7.46 |
| 272HOL0500 AV | 3" x 3" | Male | Brass | No | Yes | 10 ⁵ / ₈ " | 11.60 |
| 272HOL0600 AV | 4" x 3" | Male | Brass | No | Yes | 12 ⁵ / ₁₆ " | 16.30 |
| 272HOS0100 AV | 2" x 2" | Male | Brass | Yes | No | 8 ³ / ₄ " | 6.78 |
| 272HOS0500 AV | 3" x 3" | Male | Brass | Yes | No | 10 ⁵ / ₈ " | 9.68 |
| 272HOS0600 AV | 4" x 3" | Male | Brass | Yes | No | 12 ⁵ / ₁₆ " | 17.0 |
| 272HOS0700 AV | 4" x 4" | Male | Brass | Yes | No | 12 ³ / ₈ " | 19.76 |

570 E. 7th Street, P.O. Box 238 | Dubuque, IA 52004-0238

t. 563.583.5701 | 800.553.4840 | f. 563.583.5028

www.morbros.com

