

# Model 272 Internal Emergency Valves

SPECIFICATION SHEET

## Application

Designed for installation at the bottom outlet of an aboveground storage tank (AST) where product flow must be stopped in the event of a fire. Fusible link holds the spring loaded valve open until activated.

## Features and Details

- Adjustable hold-open mechanism
- 212° UL listed fusible link standard (165° available)
- Shear section model provides added impact protection
- Locking models for added theft deterrent

## Materials of Construction

### 272DI

- Body and plunger... Ductile iron
- Shaft... Stainless steel
- Shaft packing... PTFE
- O-ring... PTFE encapsulated FKM (4" x 3")
- Spring... Stainless steel

### 272HDI, 272HDS, 272DLS

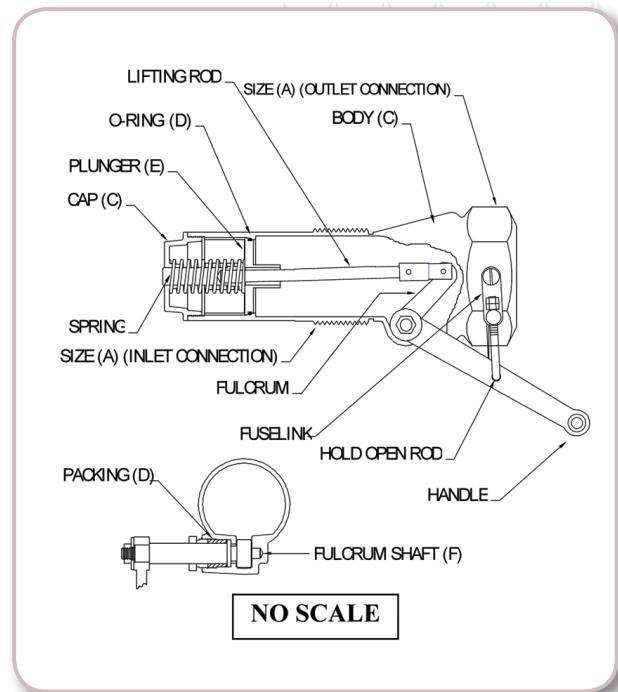
- Body and plunger... Ductile iron
- Shaft... Zinc plated steel
- Shaft packing... PTFE
- O-ring... PTFE encapsulated FKM
- Spring... Stainless steel

### 272HO, 272HOL, 272HOS, 272HLS

- Body and plunger... Brass
- Shaft Packing... PTFE impregnated Fiber or PTFE
- O-ring... FKM or PTFE
- Spring... Stainless steel
- Shaft... Zinc plated steel

### NOTE

The 272 Series valves require periodic inspection to ensure the shut-off mechanism is operating correctly. They are not intended to be used as a "block valve" and should not be opened under pressure.



Item numbers on next page...



## Model 272 Internal Emergency Valves (continued)

Item Number	Size	Tank Connection	Body/Cap Material	Shear Section	Locking Mechanism	Length	Weight (lbs)
272DI-0300 AV	4" x 3"	Flanged	Ductile Iron	No	No	16.81	34.15
272DI-0400 AV	6" x 4"	Flanged	Ductile Iron	No	No	13.5	42.50
272DLS0100 AV	2" x 2"	Male	Ductile Iron	Yes	Yes	8.75	6.50
272DLS0500 AV	3" x 3"	Male	Ductile Iron	Yes	Yes	10.62	11.50
272HDI0100 AV	2" x 2"	Male	Ductile Iron	No	No	8.75	6.22
272HDI0500 AV	3" x 3"	Male	Ductile Iron	No	No	10.62	9.66
272HDI0700 AV	4" x 4"	Male	Ductile Iron	No	No	12.37	16.75
272HDS0100 AV	2" x 2"	Male	Ductile Iron	Yes	No	8.75	7.0
272HDS0500 AV	3" x 3"	Male	Ductile Iron	Yes	No	10.62	9.68
272HDS0700 AV	4" x 4"	Male	Ductile Iron	Yes	No	12.37	16.30
272HDL0100 AV	2" x 2"	Male	Ductile Iron	No	Yes	8.75	7.0
272HDL0500 AV	3" x 3"	Male	Ductile Iron	No	Yes	10.62	10.0
272HLS0100 AV	2" x 2"	Male	Brass	Yes	Yes	8.75	7.0
272HLS0500 AV	3" x 3"	Male	Brass	Yes	Yes	10.62	11.46
272HLS0600 AV	4" x 3"	Male	Brass	Yes	Yes	12.31	16.56
272HO-0100 AV	2" x 2"	Male	Brass	No	No	8.75	6.50
272HO-0500 AV	3" x 3"	Male	Brass	No	No	10.62	11.20
272HO-0600 AV	4" x 3"	Male	Brass	No	No	12.31	16.30
272HO-0700 AV	4" x 4"	Male	Brass	No	No	12.37	19.76
272HOL0100 AV	2" x 2"	Male	Brass	No	Yes	8.75	7.46
272HOL0500 AV	3" x 3"	Male	Brass	No	Yes	10.62	11.60
272HOL0600 AV	4" x 3"	Male	Brass	No	Yes	12.31	16.30
272HOS0100 AV	2" x 2"	Male	Brass	Yes	No	8.75	6.78
272HOS0500 AV	3" x 3"	Male	Brass	Yes	No	10.62	9.68
272HOS0600 AV	4" x 3"	Male	Brass	Yes	No	12.31	17.0
272HOS0700 AV	4" x 4"	Male	Brass	Yes	No	12.37	19.76

570 E. 7th Street, P.O. Box 238 | Dubuque, IA 52004-0238

t. 563.583.5701 | 800.553.4840 | f. 563.583.5028

[www.morbros.com](http://www.morbros.com)

