

# Fig. 418LC Lightweight Manhole

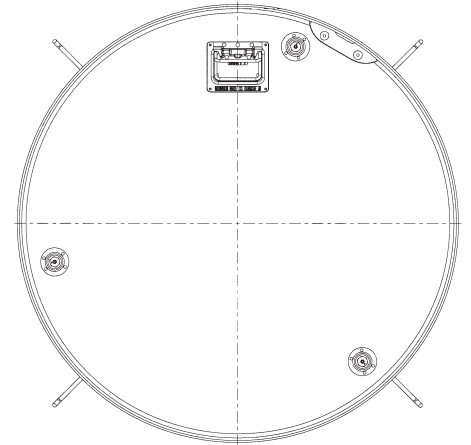
*With Cam Arm*

The 318L and 418L Series consists of large diameter lightweight manholes used in service stations, truck stop drives and other locations where sump access is required. The 418LC cam arms are an added option to the series. The 3 cam arms allow the user to rotate the hardware to the locked or unlocked position to secure or remove the cover. The cam arm assemblies are attached to the cover, reducing the risk of losing parts. The arms also help with water resistance.

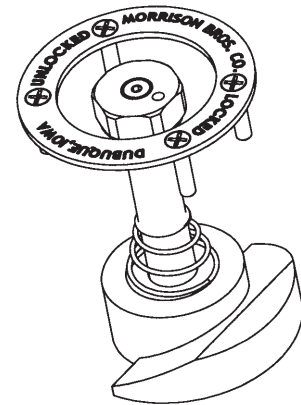
Manhole covers are engineered laminates and are both slip and fire resistant. The covers are shipped with a stainless steel handle. A pryplate is standard.

The skirt is 12 gauge steel and the ring is 3/16" steel. Assembly painted black.

The gaskets are 1" x 1/8" EPDM Foam. The 418LC is also available with a cam arm system. The 3 cam arms allow the user to rotate the hardware to the unlocked position to remove the cover.



**Manhole Cover**



**Cam Arm**  
Stainless Steel  
Hylon Cam

*New Product Announcement*

**ID Number**

418LC-3800 AM  
418LC-4000 AM  
418LC-4400 AM  
418LC-4500 AM

**Description**

38" Cover with 10" Skirt  
38" Cover with 18" Skirt  
44" Cover with 10" Skirt  
44" Cover with 18" Skirt

**List Price**

\$672.44  
\$823.97  
\$872.95  
\$964.54

The 318L Series Feature Drop In Covers  
The 418L Series Feature Bolt Down Covers