



# Model 419E Drop Tube Extender

NEW PRODUCT ANNOUNCEMENT

## Application

The 419E drop tube extender connects two sections of the same size drop tube end-to-end without disrupting the flow of liquid through the drop tubes. Stock these extenders to eliminate having multiple drop tube lengths in inventory. The 419E drop tube extender is also ideal for use with damaged drop tubes. Simply cut off the damaged sections and connect using the 419E. Drop tube extenders are for use with FILLING APPLICATIONS ONLY. They are not for use in gauging applications.



419E (3")

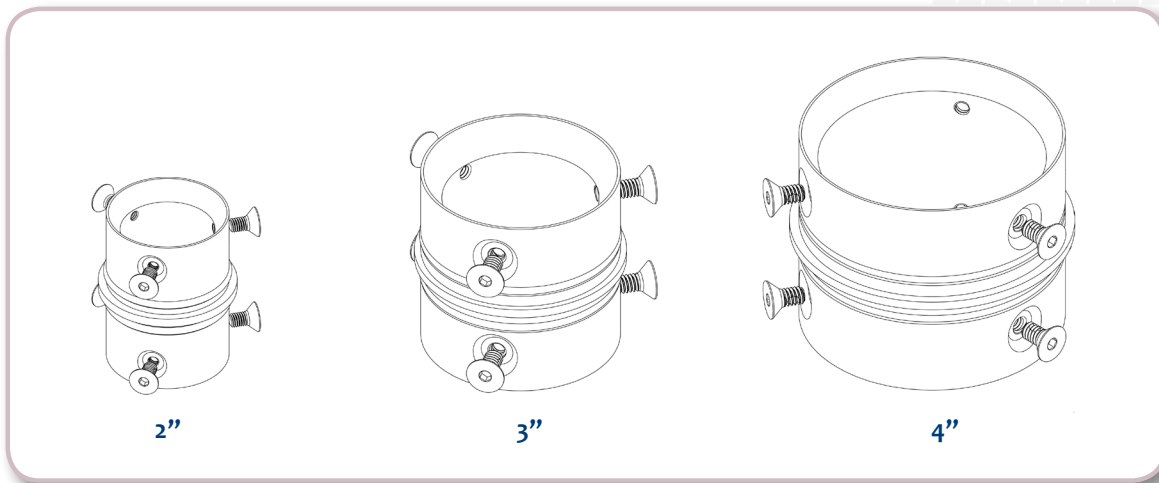
## Features and Details

- Available in 2", 3", and 4" sizes
- Allows for combining up to 50 feet of drop tube
- 2" and 3" models can be used with 9095AA overfill prevention valves as well as most 9095X and 9095C models
- For use in fill applications only

## Materials of Construction

- Machined components.... Aluminum 6061
- Seals... FKM
- Fasteners... Stainless steel

Item Number	Size	Description	Drop Tube ID	List Price
419E--0200 AE	2"	Drop tube extender	1.75" - 1.81"	\$27.50
419E--0300 AE	3"	Drop tube extender	2.81" - 2.87"	\$46.00
419E--0400 AE	4"	Drop tube extender	3.72" - 3.78"	\$47.00



2"

3"

4"

570 E. 7th Street, P.O. Box 238 | Dubuque, IA 52004-0238

t. 563-583-5701 | 800-553-4840 | f. 563-583-5028

www.morbros.com



MORRISON BROS. CO.