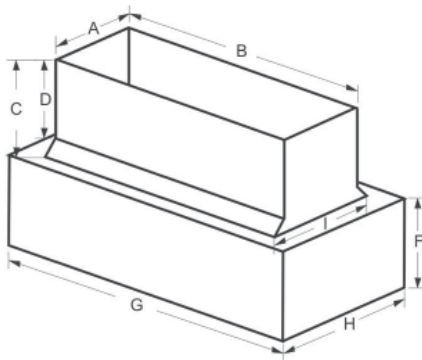


Fig. 431DS Dispenser Sumps

Specification Sheet

Dispenser sumps are installed to provide access to connections & piping, as well as provide secondary containment under the dispenser.



- UL Listed
- Our dispenser sumps can replace many of the competitor models already on the market.
- Each sump is shipped directly from stock out of our headquarters in Dubuque. This means we can deliver on last minute orders or when another company's lead times are unacceptable.
- Each sump includes a heavy duty galvanized steel frame.
- Each dispenser sump is made of high density polyethylene (HDPE) for maximum durability.
- The sump height can be reduced easily in the field.
- Thicker walls than most competitor models prevent structural damage to the sump during installation and backfill.
- Heavy duty galvanized steel stabilizer bars are UL listed and sold separately.
- 7 sizes of dispenser sumps are available for most popular dispensers.

Item Number	Item Description	Weight	A	B	C	D	F	G	H	I	OAH	Stabilizer Bar
431DS-1142 1S	11" x 42" Dispenser Sump	92.59	11"	40.5"	18"	12"	14"	46.5"	26"	20"	32"	431SB-1142 1B
431DS-1223 1S	12" x 23" Dispenser Sump	63.05	11.75"	22.5"	18"	12"	14"	28.85"	26"	20"	32"	431SB-1223 1B
431DS-1229 1S	12" x 29" Dispenser Sump	68.78	11"	28.5"	18"	12"	14"	34.25"	26"	20"	32"	431SB-1229 1B
431DS-1542 1S	15" x 42" Dispenser Sump	95.35	14.5"	41"	18"	12"	14"	46.5"	26"	20"	32"	431SB-1542 1B
431DS-1630 1S	16" x 30" Dispenser Sump	78.26	16"	30"	18"	12"	14"	36"	26"	20"	32"	431SB-1630 1B
431DS-1642 1S	16" x 42" Dispenser Sump	101.96	16"	41"	18"	12"	14"	46.5"	26"	20"	32"	431SB-1642 1B
431DS-1736 1S	17" x 36" Dispenser Sump	81.57	17.5"	36"	18"	12"	14"	41.75"	26"	20"	32"	431SB-1736 1B