



# Model 435 Dispenser Pedestal

NEW PRODUCT ANNOUNCEMENT

## Application

A containment system for mounting the Wayne Fueling Systems "Reliance® - S1" dispenser.

## Features and Details

- Three conduit ports (1<sup>7</sup>/<sub>8</sub>" OD x 1<sup>41</sup>/<sub>64</sub>" ID) with <sup>3</sup>/<sub>4</sub>" rubber bushings which can accommodate <sup>3</sup>/<sub>4</sub>" pipe or <sup>3</sup>/<sub>4</sub>" conduit. With rubber bushing removed, conduit coupling can accommodate 1" conduit or 1" pipe.
- Product line entry port (3<sup>1</sup>/<sub>2</sub>" OD x 3" ID) with boot
- Four dispenser mount openings (<sup>5</sup>/<sub>8</sub>"-16 NPT)
- Access opening (13<sup>7</sup>/<sub>8</sub>" W x 13" H) with removable cover
- All units tested for 8 gallon liquid-tight capacity
- Large access panel
- Stabilizer bar kit (optional)
- **435** is surface mount and has four pedestal anchor holes (<sup>1</sup>/<sub>2</sub>" ID)
- **435TM** is tank mount

## Materials of Construction

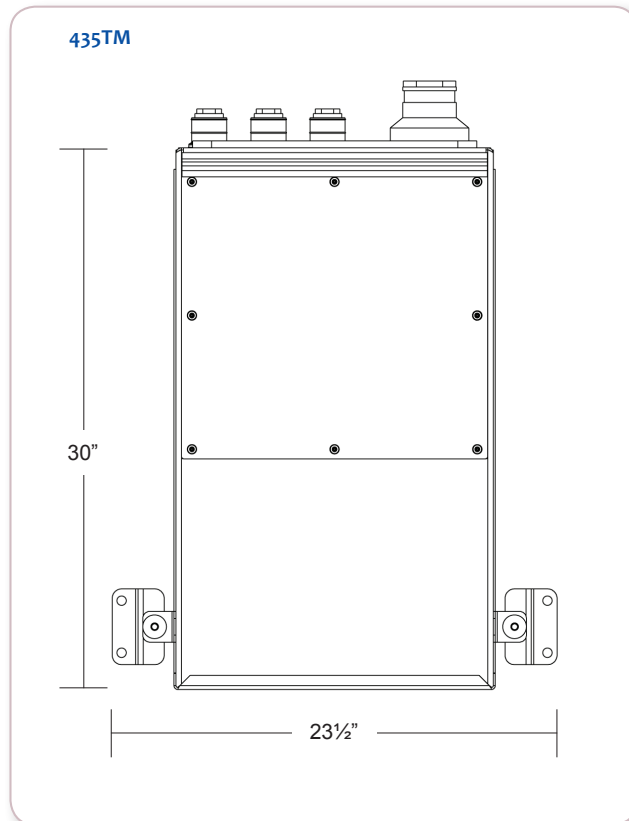
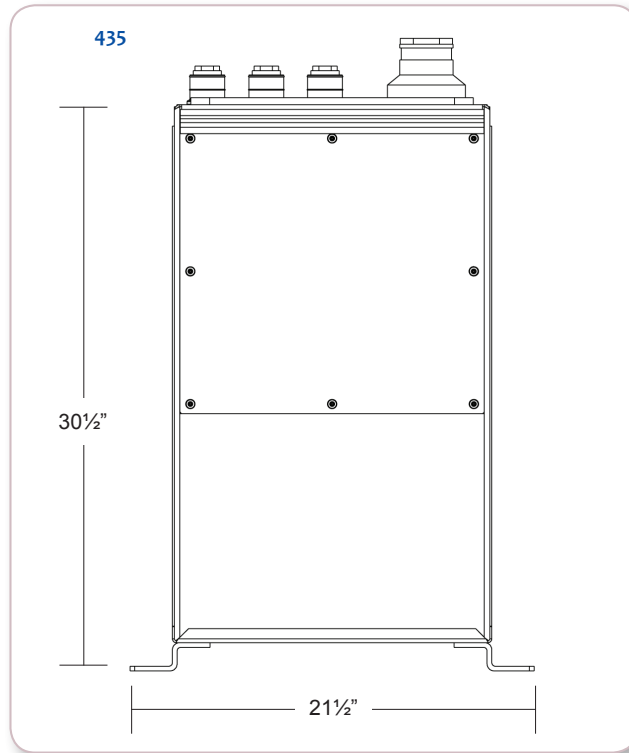
- Body (**435**)... 12 gauge steel, powder coated black
- Body (**435TM**)... 12 gauge steel, powder coated white
- Hardware... zinc-plated steel
- Coupling and conduit bushings... elastomeric PVC
- Access panel screws... neoprene with rubber washers
- Dispenser mounting gasket... EPDM foam



Item Number	Description	Stabilizer Bar	Weight	Pedestal Length	Length with Anchor Tabs	Pedestal Width	Pedestal Height	List Price
435--0000 AK	Dispenser pedestal, surface mount	0	99 lbs	17"	21½"	20"	30½"	\$1,023.77
435--0100 AK	Dispenser pedestal, surface mount	1	108 lbs	17"	21½"	20"	30½"	\$1,140.47
435TM-0000 AK	Dispenser pedestal, tank mount	0	99 lbs	17"	23½"	20½"	30"	\$1,023.77
435TM-0100 AK	Dispenser pedestal, tank mount	1	108 lbs	17"	23½"	20½"	30"	\$1,140.47

Product drawings on next page.





570 E. 7th Street, P.O. Box 238 | Dubuque, IA 52004-0238

t. 563.583.5701 | 800.553.4840 | f. 563.583.5028

[www.morbros.com](http://www.morbros.com)

