

# Model 446 Emergency Shut-Off Valve

NEW PRODUCT ANNOUNCEMENT

## Application

The 446 normally open valve is designed to shut off liquid flow in the event of a fire or excessive temperatures. This emergency shut-off valve is installed in the fuel line from a storage tank to fuel burning equipment; such as back-up generators, boilers, and other flammable liquid burning appliances.

## Features and Details

- cUL<sub>us</sub> listed to ULC/ORD-C842 – Valves for Flammable and Combustible Liquids (See details below in Code Compliance)
- 165°F (73°C) fusible link activates spring closure
- ½" (12.7 mm), ¾" (19.05 mm) or 1" (25.4 mm) female NPT threaded connections
- Compact size reduces operational footprint requirement
- Easy to install and maintain

## Operational Criteria

- Operating pressure rated at 50 psi (433.7 kPa)
- Operating temperature range rated at -20°F (-28°C) to 125°F (51°C)

## Materials of Construction

- Body... 316 stainless steel
- Cap, shaft, tail fitting, poppet, and nut... 303 stainless steel
- Lever arm... 304 stainless steel
- Handle... 356-T6 aluminum
- Spring... 17-7 stainless
- O-ring and disc... Viton®

## Code Compliance

- cUL<sub>us</sub> listed to ULC/ORD-C842—Valves for Flammable and Combustible Liquids

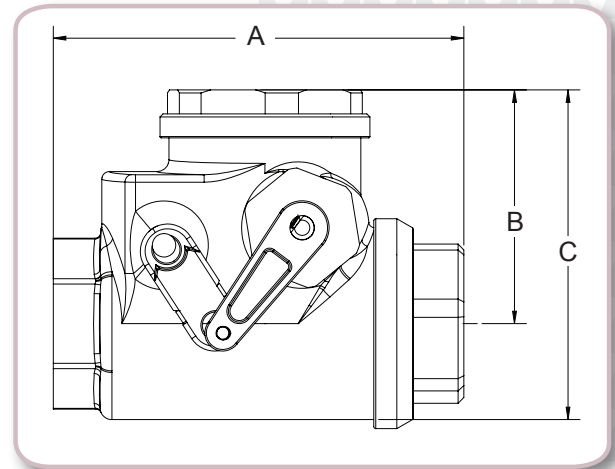
**YRBX7.MH10308**

Product Category Code  
"Flammable Liquid Shutoff Valves  
Certified for Canada"

Morrison cUL<sub>us</sub>  
File Number

- Click [here](#) for link to UL Online Certifications Directory

Item Number	Size	A	B	C	Weight (lbs)	List Price
446--0050 AV	½" (12.7 mm)	4.28"	2.44"	3.44"	3.52	\$652.80
446--0075 AV	¾" (19.05 mm)	4.28"	2.44"	3.44"	3.20	\$652.80
446--0100 AV	1" (25.4 mm)	4.28"	2.44"	3.44"	3.40	\$698.70



570 E. 7th Street, P.O. Box 238 | Dubuque, IA 52004-0238  
t. 563.583.5701 | 800.553.4840 | f. 563.583.5028