

Model 534/535 Locking Gate Valve

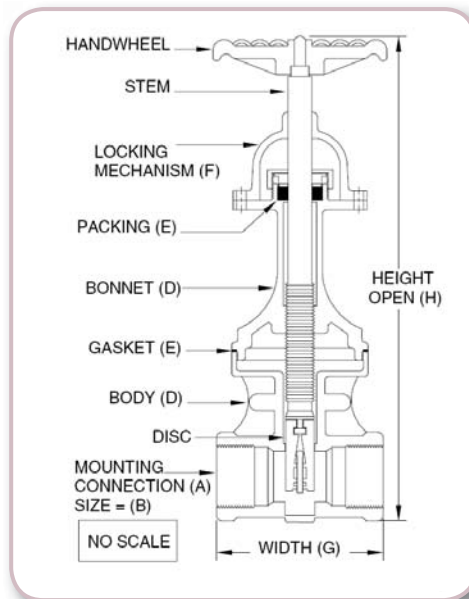
SPECIFICATION SHEET

The Morrison Fig. 534/535 series gate valves are rising stem double disc style positive shut-off valves that have built-in expansion relief capabilities. Temperature rating is -50° to 450° F. Cold non-shock pressure is 200 P.S.I. W.O.G. Fig. 534 series flanged gate valves conform to ANSI B16.42 Specifications for Class 150 raised face ductile iron flanges.

534BDI, 535B, and 535BDI include a locking feature that allows them to be locked with a padlock.

Construction Details

- Handwheel is painted aluminum
- Brass stem
- Brass discs
- Brass expansion fitting
- Ductile iron or brass body and bonnet



I.D. Number	A	B	C	D	E	F	G	H	I	J	K
534DI-0150 AV	F	2	Y	DI	TFE	N	6	16.1	13.9	4.75	20
534BDI0150 AV	F	2	Y	DI	TFE	Y	6	16.1	13.9	4.75	25
534DI-0200 AV	F	3	Y	DI	TFE	N	6.5	21	17.9	6	33
534BDI0200 AV	F	3	Y	DI	TFE	Y	6.5	21	17.9	6	38
535---0100 AV		2	Y	BR	GP	N	3.75	14.2	11.8		8.8
535B--0100 AV		2	Y	BR	GP	Y	3.75	14.2	11.8		10
535DI-0300 AV		2	Y	DI	TFE	N	4.15	14.2	11.8		9
535BDI0300 AV		2	Y	DI	TFE	Y	3.75	14.2	11.8		10.5
535---0300 AV		3	Y	BR	GP	N	4.37	18.3	15.1		17.5
535B--0300 AV		3	Y	BR	GP	Y	4.37	19.5	16.5		18
535DI-0400 AV		3	Y	DI	TFE	N	4.37	18.3	15.1		18
535BDI0400 AV		3	Y	DI	TFE	Y	4.34	19.5	16.5		18.5

SPECIFICATION OPTIONS:

- A—Mounting connection:
Female N.P.T. -(BLANK)
Flanged - (F)
- B—Size: 2", 3"
- C—Expansion relief: yes/no
- D—Body/Bonnet material:
DI-Ductile Iron
BR-Brass
- E—Gasket/Packing material:
TFE-PTFE
GP-General Purpose
- F—Locking mechanism: yes/no
- G—Face-to-face width (inches)
- H—Height of valve open (inches)
- I—Height of valve closed (inches)
- J—Bolt circle diameter (Flanged only)
- K—Shipping weight (lbs.)

570 E. 7th Street, P.O. Box 238 | Dubuque, IA 52004-0238

t. 563.583.5701 | 800.553.4840 | f. 563.583.5028

www.morbros.com