

Model 534/535 Locking Gate Valve

SPECIFICATION SHEET

Application

The Morrison Fig. 534/535 series gate valves are rising stem double disc style positive shut-off valves that have built-in expansion relief capabilities. Temperature rating is -50° to 450° F. Cold non-shock pressure is 200 P.S.I. W.O.G. Fig. 534 series flanged gate valves conform to ANSI B16.42 Specifications for Class 150 raised face ductile iron flanges.

534BDI, 535B, and 535BDI include a locking feature that allows them to be locked with a padlock.

Materials of Construction

- Handwheel... painted aluminum
- Stem... brass
- Discs... brass
- Expansion fitting... brass
- Body and bonnet... ductile iron or brass

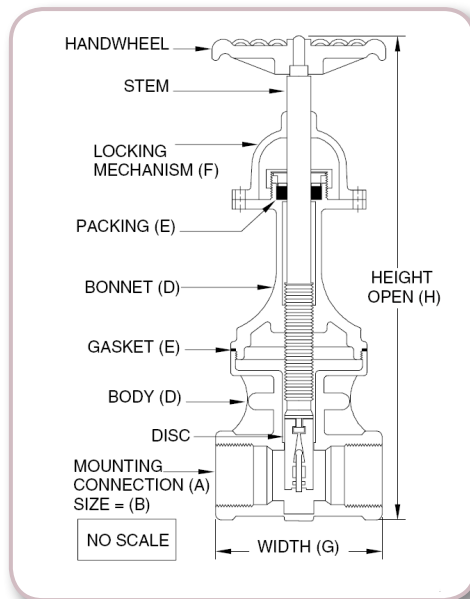


Fig. 534BDI

Fig. 535B

Fig. 534DI

Item Number	A	B	C	D	E	F	G	H	I	J	K	SPECIFICATION OPTIONS:
534DI-0150 AV	F	2"	Y	DI	TFE	N	6"	16.10"	13.90"	4.75"	20.0	A —Mounting connection: Female N.P.T. -(BLANK) Flanged - (F) B —Size: 2", 3" C —Expansion relief: Yes (Y) or No (N) D —Body/bonnet material: DI-Ductile iron BR-Brass E —Gasket/packing material: TFE-PTFE GP-General Purpose F —Locking mechanism: Yes (Y) or No (N) G —Face-to-face width (inches) H —Height of valve open (inches) I —Height of valve closed (inches) J —Bolt circle diameter (Flanged only) K —Shipping weight (lbs)
534BDI0150 AV	F	2"	Y	DI	TFE	Y	6"	16.10"	13.90"	4.75"	25.0	
534DI-0200 AV	F	3"	Y	DI	TFE	N	6.50"	21"	17.90"	6"	33.0	
534BDI0200 AV	F	3"	Y	DI	TFE	Y	6.50"	21"	17.90"	6"	38.0	
535---0100 AV		2"	Y	BR	GP	N	3.75"	14.20"	11.80"		8.80	
535B--0100 AV		2"	Y	BR	GP	Y	3.75"	14.20"	11.80"		10.0	
535DI-0300 AV		2"	Y	DI	TFE	N	4.15"	14.20"	11.80"		9.0	
535BDI0300 AV		2"	Y	DI	TFE	Y	3.75"	14.20"	11.80"		10.50	
535---0300 AV		3"	Y	BR	GP	N	4.37"	18.30"	15.10"		17.50	
535B--0300 AV		3"	Y	BR	GP	Y	4.37"	19.50"	16.50"		18.0	
535DI-0400 AV		3"	Y	DI	TFE	N	4.37"	18.30"	15.10"		18.0	
535BDI0400 AV		3"	Y	DI	TFE	Y	4.34"	19.50"	16.50"		18.50	

570 E. 7th Street, P.O. Box 238 | Dubuque, IA 52004-0238

t. 563-583-5701 | 800-553-4840 | f. 563-583-5028

www.morbros.com