

# Model 636 Shear Valve

Shear valves are installed in-between the dispenser and product supply line minimizing collision and fire hazards at the dispenser.

### Features

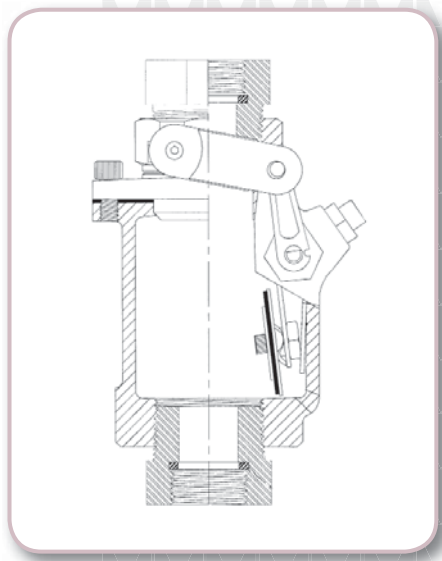
- Reliable shear protection
- Threaded piping connection is factory-assembled and tested to reduce installation time
- Post mount and u-bolt mounting connections integrated into Unibody design
- 165 degree fusible link

### Construction Details

- Cast iron (with a DEF compatible coating) body and shear.
- Replacement shear kits available
- Stainless steel internal components
- Viton® valve disc
- Viton® o-ring
- Viton® gasket



636DEF (1" x 1")



Item Number	Size	Inlet Threads	Shear Top	Height	Weight (lbs)
636DEF0000 AVU	1" x 1"	Female NPT	Female NPT	7½"	7.60
636DEFBM00 AVU	1" x 1"	Male straight BSPP	Male straight BSPP	8½"	7.60
636DEFB000 AVU	1" x 1"	Female straight BSPP	Female straight BSPP	7½"	7.60