

Model 691A Spring Loaded Ball Valve

SPECIFICATION SHEET

Ball valves are used throughout fuel piping systems where a shut-off is required or desired.

Features

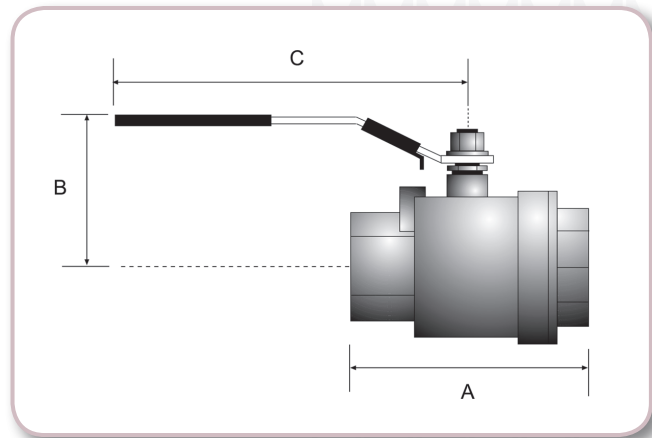
- Spring loaded auto return
- Quarter turn operation
- Full port for maximum flow and minimum pressure drop
- Can be operated in partial open position for flow control
- Double seal allows the valve to be operated in both directions
- Blowout proof stem
- 600 PSIG non-shock cold working pressure rating for ¼" to 2" size
- 450 PSIG non-shock cold working pressure rating for 2½" to 4" size
- Can be used for air service

Construction Details

- Forged brass body
- Hard chrome plated ball
- PTFE seal

Certifications & Listings

- UL 842 listed for flammable liquids
- UL 125 listed for LP gas shut-off
- CSA listed (File No. 112439, Model S.95)



Size	Dimension A	Dimension B	Dimension C	Port Size
¼"	1.771	1.504	3.937	0.314
⅜"	1.771	1.504	3.937	0.393
½"	2.322	1.679	3.937	0.590
¾"	2.519	1.956	4.724	0.787
1"	3.188	2.114	4.724	0.984
1¼"	3.661	2.858	6.220	1.259
1½"	4.015	3.094	6.220	1.574
2"	4.763	3.370	6.220	1.968

Item Number	Size	Weight (lbs)
691A-0100 1V	¼"	0.38
691A-0200 1V	⅜"	0.36
691A-0300 1V	½"	0.49
691A-0400 1V	¾"	1.05
691A-0500 1V	1"	1.40
691A-0600 1V	1¼"	2.06
691A-0700 1V	1½"	2.65
691A-0800 1V	2"	4.06

570 E. 7th Street, P.O. Box 238 | Dubuque, IA 52004-0238

t. 563.583.5701 | 800.553.4840 | f. 563.583.5028

www.morbros.com