

Morrison Bros. Co.
Fig. 691BSSS

Locking Ball Valve

Full Port Stainless Steel

Features and Specifications:

- ◆ Sizes available—see chart
- ◆ Full port for minimum pressure drop
- ◆ Stainless steel body and ball
- ◆ Blowout-proof stainless steel stem
- ◆ Stainless steel lockable handle with PVC grip
- ◆ Teflon® packing
- ◆ Teflon® seat
- ◆ Teflon® seals
- ◆ Threads NPT ANSI B.1.20.1
- ◆ Temperature range from -20°F to +350°F
- ◆ 1000 PSI non-shock, cold working pressure
- ◆ Lock device accepts #3 Master padlock
- ◆ Mounting pad for easy automation

Fig. 691BSS

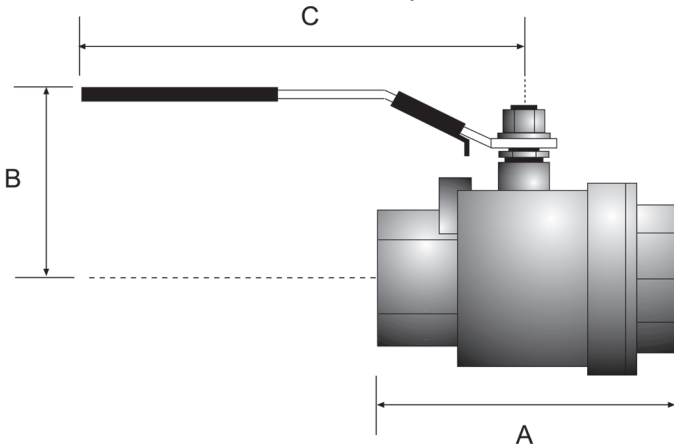


Fig. 691BSS
 Full Port Locking Ball Valve

Size	Part Number
1/2"	691BSS0300 1V
3/4"	691BSS0400 1V
1"	691BSS0500 1V
1 1/2"	691BSS0700 1V
2"	691BSS0800 1V
3"	691BSS1000 1V

SIZE	1/2"	3/4"	1"	1 1/2"	2"	3"
Dimension A	2.44	2.80	3.27	4.04	4.92	6.85
Dimension B	2.24	2.70	2.85	3.74	4.11	5.16
Dimension C	3.78	4.96	4.96	7.01	7.01	9.61
Port Size	.63	.79	.98	1.50	2.01	3.15
Weight	.70	1.16	1.62	3.38	6.11	19.60

NOTE: All dimensions are in inches, except weight which is in pounds.

