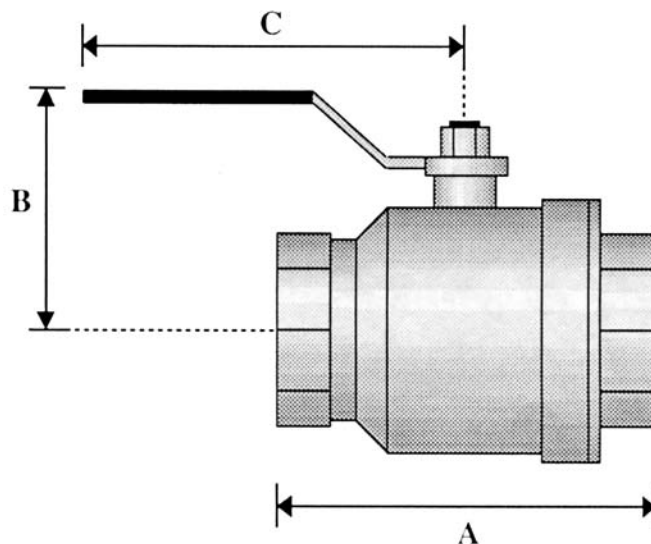


Fig. 691 & 691B Full Port Brass Ball Valve

Specification Sheet

- Hot forged brass body
- Hard chrome-plated ball
- Blowout proof stem
- Teflon seals
- Dacrotized carbon steel handle with PVC grip. Fig. 691B handle is lockable
- UL 842 listed for use with flammable liquids
 Sizes 1/4"—2" 600 psig
 Sizes 2 1/2"—4" 450 psig
- UL 125 listed for LP-gas shut-off
 Sizes 1/4"—2" 600 psig
 Sizes 2 1/2"—4" 450 psig
- AGA approval on 1/4"—4" sizes
- Meets WW-V-35
- Threads NPT ANSI B.1.20.1
- Temperature range -40° to 350°F
- FM approval 1/4"—2"
- CSA approval



Size	1/4"	3/8"	1/2"	3/4"	1"	1 1/4"	1 1/2"	2"	2 1/2"	3"	4"
Dimension A	1.771	1.771	2.32	2.519	3.188	3.661	4.015	4.763	6.141	6.968	8.504
Dimension B	1.496	1.496	1.69	1.968	2.125	2.874	3.11	3.385	5.196	5.551	6.062
Dimension C	3.228	3.228	3.94	4.724	4.724	6.22	6.22	6.22	10.04	10.04	10.04
Port Size	0.314	0.393	0.59	0.787	0.984	1.259	1.574	1.968	2.559	3.149	3.937
Weight	0.3	0.3	0.5	0.8	1.17	1.93	2.4	4.02	10	13.65	22

Note: All dimensions are in inches except weight which is in pounds.