



# Model 710 Solenoid Valve (Normally Closed)

SPECIFICATION SHEET

## Application

Normally closed solenoid valves are used to help prevent the accidental siphoning of a product from a tank in the event of a leak downstream below the liquid level. They are generally installed on the dispensing side of a fuel system pipeline. The valve opens upon the receipt of an electronic signal such as when a dispenser or pump is switched to the 'on' position.

## Features and Details

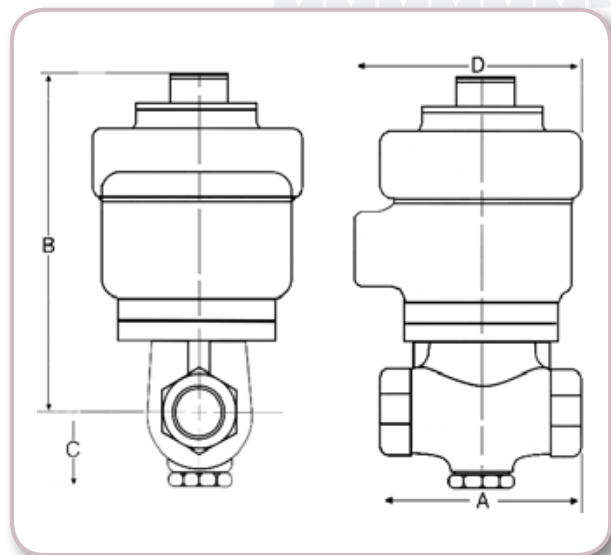
- Normally closed, hung piston design
- Operates at 120 volts AC (24, 208, 220, 240, & 480 volts AC, and 12, 24, and 48 volts DC also available)
- Minimum operating temperature is -40°F
- Includes a continuous duty Class H standard coil. Other options are available
- Install in a horizontal pipeline in the upright vertical position
- Zero pressure differential
- Integral thermal relief allows the valve to relieve expansion pressure in the opposite direction of flow
- Enclosure is watertight and rated for hazardous locations—NEMA 3, 4X, 7 and 9; groups C and D
- Several optional coil voltages available
- Recommended for use with liquids having a maximum viscosity of 60 centistokes
- A strainer with a 100 mesh screen is recommended at the valve inlet
- **710** has a cast bronze body
- **710MO** has manual override feature. Available in sizes ranging from 3/4" to 2" for operation during a power outage
- **710SS** has a stainless steel body

## Materials of Construction

- Solenoid housed in an integral, watertight, explosion-proof shell

## Certifications and Listings

CSA listed (File No. 108921, Model Z1314); Class I, Groups C and D; Class II, Groups E, F and G; Class III; T3C



Item numbers, dimensions, and water flow vs. pressure drop chart on next page.





Item Number	Size (NPT)	Seal Material	Orifice Size (inches)	CV	Operating Pressure Differential Max. (P.S.I.)		Fluid Temp. (Max) (Deg. F.)	Power Consumption (Watt)	Ship Weight (lbs)	Gen. Dimensions (inches)			
					Min.	Max				A	B	C	D
710-0075 1V	¾"	Viton®	¾"	7	0	105	302	30	11.0	4.0"	5.90"	1.5"	4.38"
710-0100 1V	1"	Viton®	1"	12	0	105	302	30	13.0	4.8"	6.25"	1.75"	4.38"
710-0150 1V	1½"	Viton®	1¼"	17	0	105	302	30	16.0	5.40"	6.90"	2.0"	4.38"
710-0200 1V	2"	Viton®	1½"	27	0	105	302	30	21.0	5.90"	7.0"	2.25"	4.38"
710-0300 1V	3"	Viton®	3"	94	0	45	302	48	44.0	8.80"	9.50"	4.50"	4.38"
710MO-0075 1V	¾"	Viton®	¾"	7	0	105	302	30	12.0	4.0"	5.90"	1.50"	4.38"
710MO-0100 1V	1"	Viton®	1"	12	0	105	302	30	14.0	4.80"	6.25"	1.75"	4.38"
710MO-0150 1V	1½"	Viton®	1¼"	17	0	105	302	30	17.0	5.40"	6.90"	2.00"	4.38"
710MO-0200 1V	2"	Viton®	1½"	27	0	105	302	30	22.0	5.90"	7.0"	2.25"	4.38"
710SS-2075 1V	¾"	Teflon®	¾"	7	0	105	356	30	13.0	4"	5.90"	1.50"	4.38"
710SS-2100 1V	1"	Teflon®	1"	12	0	105	356	30	15.0	4.80"	6.25"	1.75"	4.38"
710SS-2150 1V	1½"	Teflon®	1¼"	17	0	105	356	30	16.0	5.40"	6.90"	2.0"	4.38"
710SS-2200 1V	2"	Teflon®	1½"	26	0	105	356	30	21.0	5.90"	7.0"	2.25"	4.38"
710SS-3300 1V	3"	Teflon®	3"	93.60	0	45	356	48	44.0	8.80"	9.50"	4.50"	4.38"
710SS-0300 1V	3"	Teflon®	3"	93.60	0	45	302	48	44.0	8.80"	9.50"	4.50"	4.38"

