



The Morrison 715 Series remote fill box is a simple 10-gallon capacity cabinet that provides containment of small spills during tank filling operations. Each unit is supplied with tank mount brackets for easy installation on storage tanks.

Features

- 10-gallon (37.85 liter) capacity
- 2" or 3" male NPT threaded top connection
- Vented and weatherproof
- Hinged door is lockable with a padlock
- Bottom sloped (right to left) toward drain and pump mounting location; drains on left side
- Vapor recovery mounting bracket integrated into the cabinet exterior
- Vapor recovery adaptor, cap, and u-bolt kits are available
- Available with hand pump assembly, ball valve, quick disconnect check valve coupler/adaptor, dry disconnect adaptor, and dust cap/plug in 2" or 3" configuration
- All connection assemblies are factory installed and tested prior to shipping.
- DEF, Aviation, and E-85 models are available
- Post mount kits and four-leg stands are available in powder coated steel
- Four-leg stands are also available in stainless steel

Construction Details

- Box and door are 14-gauge steel, powder coated white, or 304 stainless steel
- Ball valve is Morrison 691 series brass or 691BSS series stainless steel
- Quick disconnect coupler and plug are aluminum, anodized aluminum, or stainless steel
- Quick disconnect adaptor and cap are anodized aluminum
- Dry disconnect adaptor and cap are aluminum, anodized aluminum, or stainless steel

Vapor recovery kit

- Vapor recovery adaptor is aluminum with Viton®
- Vapor recovery cap is aluminum, powder coated orange
- Hand pump is steel construction, Teflon® seals with Viton® o-rings, or stainless steel with Teflon® and Viton®

Box dimensions

- Width = 24.38" Height = 28.88" Depth = 19.19"

Approvals

CAN-ULC-S663-11; Florida DEP EQ-787



Part numbers on next page.





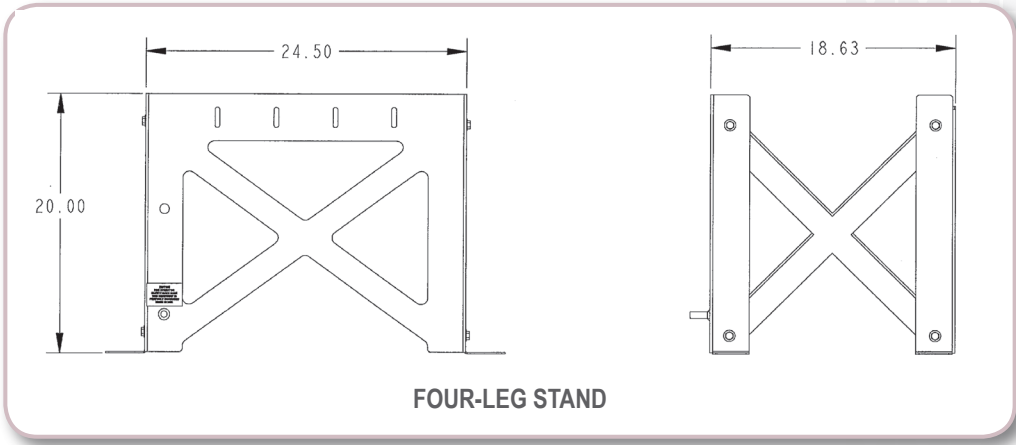
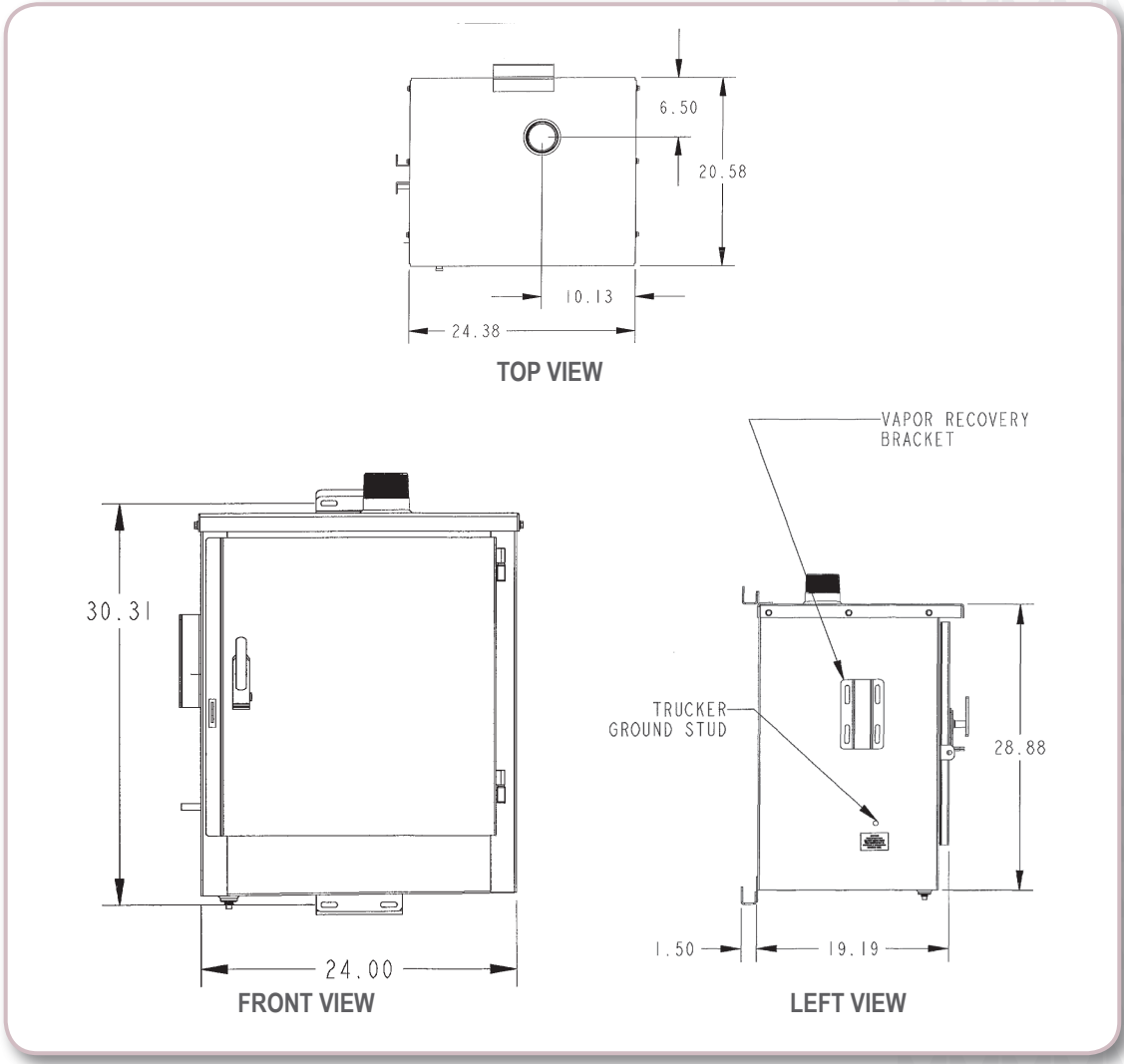
Model 715 & 715S Remote Fill Box -Top Connection (continued)

SPECIFICATION SHEET

| Item Number | Size | Description | Weight |
|-----------------|------------|---|---------|
| 715--T00-0000-0 | 3"—10 gal. | Top connection w/ no outlets | 101 lbs |
| 715-TT3-0000-0 | 3"—10 gal. | Top connection w/ no internal components | 135 lbs |
| 715--TT3-000B-0 | 3"—10 gal. | Top connection w/ hand pump | |
| 715--TT3-2QBB-0 | 3"—10 gal. | Top connection w/2" AL female QD coupler, BR ball valve, hand pump | 141 lbs |
| 715-TT3-2MBB-0 | 3"—10 gal. | Top connection w/2" AL male QD adaptor, BR ball valve, hand pump | 141 lbs |
| 715--TT3-3QBB-0 | 3"—10 gal. | Top connection w/3" AL female QD coupler, BR ball valve, hand pump | 144 lbs |
| 715--TT3-3MBB-0 | 3"—10 gal. | Top connection w/3" AL male QD adaptor, BR ball valve, hand pump | 144 lbs |
| 715--TT3-2DBB-0 | 3"—10 gal. | Top connection w/2" AL dry disc adaptor, BR ball valve, hand pump | 143 lbs |
| 715--TT3-3DBB-0 | 3"—10 gal. | Top connection w/3" AL dry disc adaptor, BR ball valve, hand pump | 158 lbs |
| 715--TT3-2MB0-0 | 3"—10 gal. | Top connection w/2" AL male QD adaptor, BR ball valve | |
| 715--TT3-3MB0-0 | 3"—10 gal. | Top connection w/3" AL male QD adaptor, BR ball valve | |
| 715--TT3-2QB0-0 | 3"—10 gal. | Top connection w/2" AL female QD coupler, BR ball valve | |
| 715--TT3-2DS0-0 | 3"—10 gal. | Top connection w/2" AL dry disc adaptor, SS ball valve | |
| 715--TT3-2DSE-0 | 3"—10 gal. | Top connection w/2" AL dry disc adaptor, SS ball valve, E85 hand pump | |
| 715S-TT3-0000-0 | 3"—10 gal. | SS top connection w/ no internal components | 135 lbs |
| 715S-TT3-2QBB-0 | 3"—10 gal. | SS top connection w/2" AL female QD coupler, BR ball valve, hand pump | 132 lbs |
| 715S-TT3-2MBB-0 | 3"—10 gal. | SS top connection w/2" AL male QD adaptor, BR ball valve, hand pump | 132 lbs |
| 715S-TT3-3QBB-0 | 3"—10 gal. | SS top connection w/3" AL female QD coupler, BR ball valve, hand pump | 144 lbs |
| 715S-TT3-3MBB-0 | 3"—10 gal. | SS top connection w/3" AL male QD adaptor, BR ball valve, hand pump | 144 lbs |
| 715S-TT3-2DBB-0 | 3"—10 gal. | SS top connection w/2" AL dry disc adaptor, BR ball valve, hand pump | 135 lbs |
| 715S-TT3-3DBB-0 | 3"—10 gal. | SS top connection w/3" AL dry disc adaptor, BR ball valve, hand pump | 148 lbs |
| 715S-TT3-2DS0-0 | 3"—10 gal. | SS top connection w/2" AL dry disc adaptor, SS ball valve | |
| 715S-TT3-3DS0-0 | 3"—10 gal. | SS top connection w/3" AL dry disc adaptor, SS ball valve | |
| 715S-TT3-2DSE-0 | 3"—10 gal. | SS top connection w/2" AL dry disc adaptor, SS ball valve, E85 hand pump | |
| 715S-TT3-2MBE-0 | 3"—10 gal. | SS top connection w/2" AL male QD adaptor, BR ball valve, E85 hand pump | |
| 715S-TT3-3DSE-0 | 3"—10 gal. | SS top connection w/3" AL dry disc adaptor, SS ball valve, E85 hand pump | |
| 715S-TT3-2ES0-0 | 3"—10 gal. | SS top connection w/2" SS dry disc adaptor, SS ball valve | |
| 715S-TT3-2ESS-0 | 3"—10 gal. | SS top connection w/2" SS dry disc adaptor, SS ball valve, SS hand pump | |
| 715S-TT3-2SS0-0 | 3"—10 gal. | SS top connection w/2" SS female QD coupler, SS ball valve | |
| 715S-TT3-2SSS-0 | 3"—10 gal. | SS top connection w/2" SS female QD coupler, SS ball valve, SS hand pump | |
| 715S-TT3-3SS0-0 | 3"—10 gal. | SS top connection w/3" SS female QD coupler, SS ball valve | |
| 715S-TT3-3SSE-0 | 3"—10 gal. | SS top connection w/3" SS female QD coupler, SS ball valve, E85 hand pump | |
| 715---VR30 AK | | 3" Vapor Recovery Kit | |
| 715---VR40 AK | | 4" Vapor Recovery Kit | |
| 715--P060 AK | | Post mount kit - 3" x 60" post with clamps and base | |
| 715---S400 AS | | Four-leg stand for 715 fill box, powder coated steel | |
| 715S--S400 AS | | Four-leg stand for 715 fill box, stainless steel | |

*Please consult Price List for additional options.





715 Part Numbering System

How to “Build-a-Box”

To order, simply select desired option from each category and insert the corresponding letter or number in the appropriate space below.

Example:

715 - - **T T 3** - **2 Q B B** - **0**

Model Number ————

Fill Box Construction

- 10 gal. powder coated steel
- S** 10 gal. 304 stainless steel
- F** 7 gal. powder coated flush wall mount

Mounting Style

- T** Tank/Wall

Outlet Location

- T** Top
- K** Back (available 1st quarter 2013)
- 0** No outlet

Outlet Fitting

- 0** No outlet fitting (715 only)
- 2** 2” Male NPT nipple (715F only)
- 3** 3” Male NPT nipple

Component Size

- 0** Box only
- 2*** 2” components
- 3** 3” components

* 3” to 2” transition between outlet fitting and ball valve.

Open

- 0** Box only

Hand Pump Assembly

- 0** No hand pump assembly
- B** Base Package*
 - * Hand Pump Assembly Base Package: Steel constructed hand pump with Teflon seals and Viton o-rings, reinforced polyurethane tubing, brass check valve and ball valve.
- E** E85 Package
 - * Hand Pump Assembly E85 Package: Steel constructed hand pump with Teflon seals and Viton o-rings, reinforced polyurethane tubing, stainless steel check valve and ball valve.
- S** Stainless Steel Package
 - * Hand Pump Assembly Stainless Steel Package: Stainless steel constructed hand pump with Teflon seals and Viton o-rings, reinforced polyurethane tubing, stainless steel check valve and ball valve.

Ball Valve

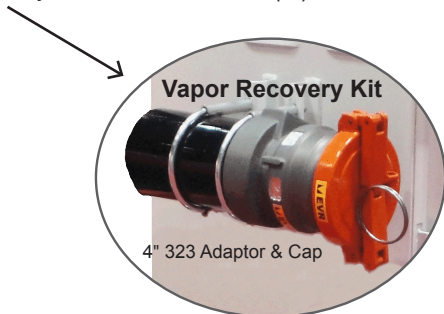
- 0** Box only
- B** Full port NPT ball valve with brass body, hard chrome plated ball & Teflon seals
- S** Full port, locking, NPT ball valve with stainless steel body and ball, Teflon seals

Inlet Connection

- 0** Box only
- D** Dry disconnect, hardcoated aluminum with stainless steel piston, Viton gaskets, and aluminum dust cap
- E** Dry disconnect, stainless steel body and piston, Viton gasket, and stainless steel dust cap (only available in 2”)
- Q** 90° quick disconnect aluminum female coupler with brass check valve, Viton seals, and aluminum dust plug
- S** 90° quick disconnect stainless steel coupler with check valve, Viton seals, and aluminum dust plug
- M** 90° quick disconnect aluminum male adaptor with stainless steel check valve, Viton seals, and aluminum dust cap

Additional Options:

- 60” Post mount kit: 715---P060 AK
- Stand: 715---S400 AS (4 leg stand, powder coated steel)
- Stand: 715S--S400 AS (4 leg stand, stainless steel)
- Vapor recovery kits: 715---VR30 AK (3”) and 715---VR40 AK (4”)



*Option Q now has Viton seals (previously Buna seals)

For a complete listing of 715 item numbers, please refer to the Morrison Price List.