



Model 715 & 715S Remote Fill Box - Top Connection, 150# Raised Face Flange

NEW PRODUCT ANNOUNCEMENT

The Morrison 715 Series remote fill box is a simple 10-gallon capacity cabinet that provides containment of small spills during tank filling operations. Each unit is supplied with tank mount brackets for easy installation on storage tanks.

Features

- 10-gallon (37.85 liter) capacity
- 3" 150# raised face flange top connection
- Vented and weatherproof
- Hinged door is lockable with a padlock
- Bottom sloped (right to left) toward drain and pump mounting location; drains on left side
- Vapor recovery mounting bracket integrated into the cabinet exterior
- Vapor recovery adaptor, cap, and u-bolt kits are available
- Available with hand pump assembly, ball valve, quick disconnect check valve coupler/adaptor, dry disconnect adaptor, and dust cap/plug in 2" or 3" NPT configuration
- All connection assemblies are factory installed and tested prior to shipping.
- Post mount kits are available in powder coated steel
- Four-leg stands are available in powder coated steel or stainless steel
- Alarm box mounting kit available in powder coated steel

Construction Details

- Box and door are 14-gauge steel, powder coated white, or 304 stainless steel
- Ball valve is Morrison 691 series brass or 691BSS series stainless steel
- Quick disconnect coupler and plug are aluminum or stainless steel
- Quick disconnect adaptor and cap are passivated aluminum
- Dry disconnect adaptor and cap are passivated aluminum or stainless steel

Vapor recovery kit

- Vapor recovery adaptor is aluminum with Viton®
- Vapor recovery cap is aluminum, powder coated orange
- Hand pump is steel construction, Teflon® seals with Viton® o-rings, or stainless steel with Teflon® and Viton®

Box dimensions

• Width = 24.38"

Box height = 30.31" (36.25" including flange)

Depth = 19.19"

Approvals

CAN-ULC-S663-11; Florida DEP EQ-787



Fig. 715



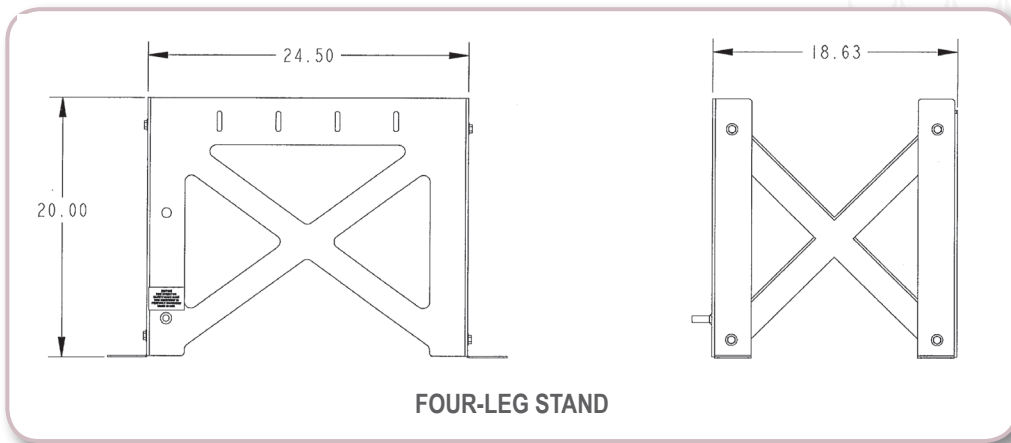
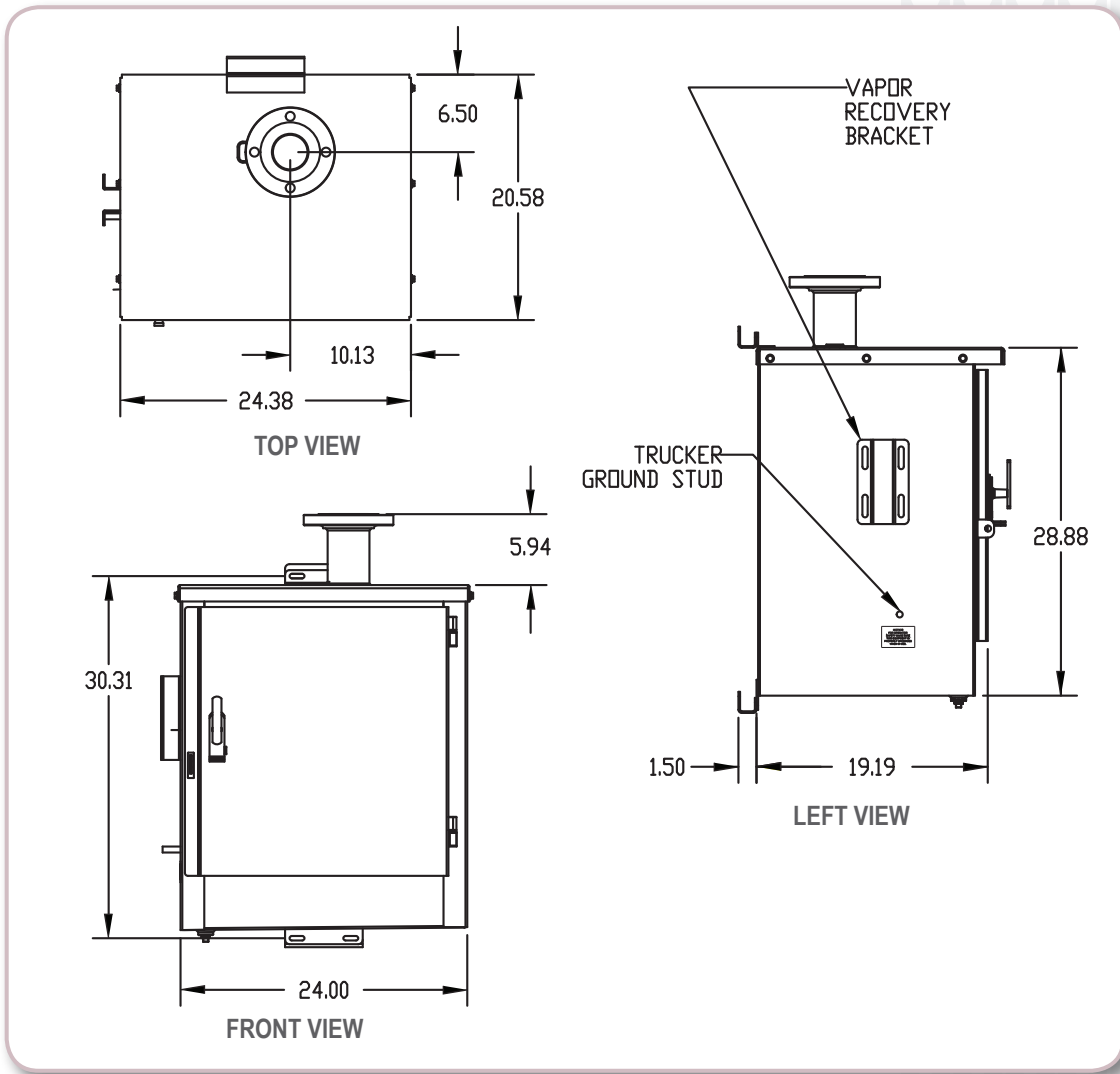
Item Number	Size	Description	List Price
715--TF5-0000-0	3"—10 gal.	Powder coated steel with flanged top connection	\$1,352.00
715S--TF5-0000-0	3"—10 gal.	Stainless steel with flanged top connection	\$2,468.00
715---S400 AS		4 leg stand, powder coated steel	
715S--S400 AS		4 leg stand, stainless steel	
715---0373 2K		Mounting plate assembly kit	





**Model 715 & 715S Remote Fill Box - Top Connection,
150# Raised Face Flange (continued)**

NEW PRODUCT ANNOUNCEMENT



715 Part Numbering System

How to “Build-a-Box”

To order, simply select desired option from each category and insert the corresponding letter or number in the appropriate space below.

Example:

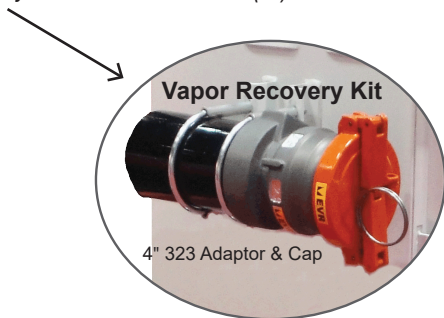
715 - - **T T 3** - **2 Q B B** - **0**

<p>Model Number</p> <p>Fill Box Construction</p> <p>- 10 gal. powder coated steel S 10 gal. 304 stainless steel F 7 gal. powder coated flush wall mount</p> <p>Mounting Style</p> <p>T Tank/Wall</p> <p>Outlet Location</p> <p>0 No outlet F Top flanged K Back T Top NPT male thread</p> <p>Outlet Fitting</p> <p>0 No outlet fitting (715 only) 2 2" Male NPT nipple (715F only) 3 3" Male NPT nipple 4 2" 150# Raised face flange 5 3" 150# Raised face flange</p> <p>Component Size</p> <p>0 Box only 2* 2" components 3 3" components</p>	<p>Open</p> <p>0 Box only</p> <p>Hand Pump Assembly</p> <p>0 No hand pump assembly B Base Package*</p> <p><i>* Hand Pump Assembly Base Package: Steel constructed hand pump with Teflon seals and Viton o-rings, reinforced polyurethane tubing, brass check valve and ball valve.</i></p> <p>E E85 Package</p> <p><i>* Hand Pump Assembly E85 Package: Steel constructed hand pump with Teflon seals and Viton o-rings, reinforced polyurethane tubing, stainless steel check valve and ball valve.</i></p> <p>S Stainless Steel Package</p> <p><i>* Hand Pump Assembly Stainless Steel Package: Stainless steel constructed hand pump with Teflon seals and Viton o-rings, reinforced polyurethane tubing, stainless steel check valve and ball valve.</i></p> <p>Ball Valve</p> <p>0 Box only B Full port NPT ball valve with brass body, hard chrome plated ball & Teflon seals S Full port, locking, NPT ball valve with stainless steel body and ball, Teflon seals</p> <p>Inlet Connection</p> <p>0 Box only</p> <p>D Dry disconnect, hardcoated aluminum with stainless steel piston, Viton gaskets, and aluminum dust cap E Dry disconnect, stainless steel body and piston, Viton gasket, and stainless steel dust cap (only available in 2")</p> <p>Q 90° quick disconnect aluminum female coupler with brass check valve, Viton seals, and aluminum dust plug S 90° quick disconnect stainless steel coupler with check valve, Viton seals, and aluminum dust plug</p> <p>M 90° quick disconnect aluminum male adaptor with stainless steel check valve, Viton seals, and aluminum dust cap</p>
--	--

* 3" to 2" transition between outlet fitting and ball valve.

Additional Options:

- 60" Post mount kit: 715---P060 AK
- Mounting Plate: 715---0373 2PPW (not compatible with in-wall models)
- Stand: 715---S400 AS (4-leg stand, powder coated steel)
- Stand: 715S--S400 AS (4-leg stand, stainless steel)
- Vapor recovery kits: 715---VR30 AK (3") and 715---VR40 AK (4")



*Option Q now has Viton seals (previously Buna seals)

For a complete listing of 715 item numbers, please refer to the Morrison Price List.

570 E. 7th Street, P.O. Box 238 | Dubuque, IA 52004-0238

t. 563.583.5701 | 800.553.4840 | f. 563.583.5028

www.morbros.com