



## 718 Liquid Level Gauge

NEW PRODUCT ANNOUNCEMENT

### Application

The Morrison 718 liquid level gauge is designed for measuring liquid level in an aboveground storage tank containing diesel, fuel oil, oil, and used (waste) oil. The gauge mounts on top of the tank and is activated by a float connected to a cable.

### Features and Details

#### 718

- 2" male NPT threads
- Float installs through a 2" female threaded opening or a schedule 40 riser\*
- Measurement readout in inches
- Two models accommodate tank depths up to 72" and 108"
- Easy float length adjustment (1" or 2" increments)
- Vapor space sealed to prevent lens fogging
- UV resistant liquid level tape
- Approximately 12" of extra cable to accommodate installations with riser pipes

*\*Not for use with schedule 80 pipe*

#### 718G

- Gallon models are designed for tanks of specific dimensions (see next page)

#### 718M

- This model accommodates tank depths up to 275CM
- Easy float length adjustment (2.54CM or 5.08CM increments)

### Materials of Construction

- Body... cast aluminum
- Spring... 301 stainless steel
- Float... Polypropylene and aluminum
- Shaft bushing... stainless steel
- O-ring... FKM
- Cable... 30# braided microfilament
- Lens cover... Lexan



Scan to watch installation video

Part numbers, Gallon, and Metric models on next page.



MORRISON BROS. CO.



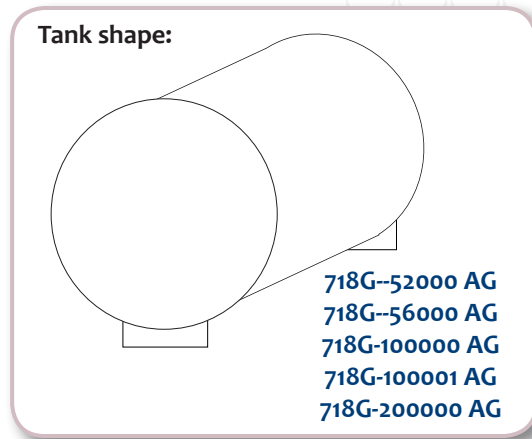
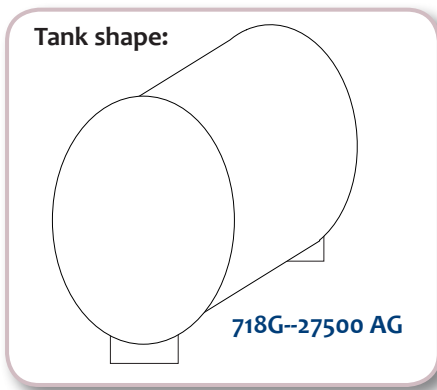
Read in inches:

Item Number	Description	Height	Weight (lbs)	List Price
718--7200 AG	Liquid level gauge for tanks up to 72"	72"	2.0	\$158.00
718--10800 AG	Liquid Level Gauge for tanks up to 108"	108"	2.0	\$158.00



Read in gallons:

Item Number	Description	Tank Capacity	Tank Shape	Diameter	Length	Width	Height	Weight (lbs)	List Price
718G--27500 AG	Liquid level gauge	275 gallons	Obround	N/A	60"	27"	44"	2.0	\$158.00
718G--52000 AG	Liquid level gauge	520 gallons	Horizontal	48"	68"	N/A	N/A	2.0	\$158.00
718G--56000 AG	Liquid level gauge	560 gallons	Horizontal	48"	72"	N/A	N/A	2.0	\$158.00
718G-100000 AG	Liquid level gauge	1,000 gallons	Horizontal	64"	72"	N/A	N/A	2.0	\$158.00
718G-100001 AG	Liquid level gauge	1,000 gallons	Horizontal	48"	128"	N/A	N/A	2.0	\$158.00
718G-200000 AG	Liquid level gauge	2,000 gallons	Horizontal	64"	144"	N/A	N/A	2.0	\$158.00



Read in centimeters:

Item Number	Description	Height	Weight (lbs)	List Price
718M--27500 AG	Liquid level gauge for tanks up to 275 CM	275 CM	2.0	\$158.00

570 E. 7th Street, P.O. Box 238 | Dubuque, IA 52004-0238  
t. 563.583.5701 | 800.553.4840 | f. 563.583.5028

www.morbros.com

