

M 718 Liquid Level Gauge

NEW PRODUCT ANNOUNCEMENT

Application

The Morrison 718 liquid level gauge is designed for measuring liquid level in an aboveground storage tank containing diesel, fuel oil, oil, and used (waste) oil. The gauge mounts on top of the tank and is activated by a float connected to a cable.

Features and Details

- 2" male NPT threads
- Measurement readout in inches
- Two models accommodate tank depths up to 72" and 108"
- Easy float length adjustment (1" or 2" increments)
- Vapor space sealed to prevent lens fogging
- UV resistant measurement tape
- Approximately 12" of extra cable to accommodate installations with riser pipes

Materials of Construction

- Body... cast aluminum
- Spring... 301 stainless steel
- Float... Polypropylene and aluminum
- Shaft bushing... stainless steel
- O-ring... Viton®
- Cable... 30# braided microfilament
- Lens cover... Lexan

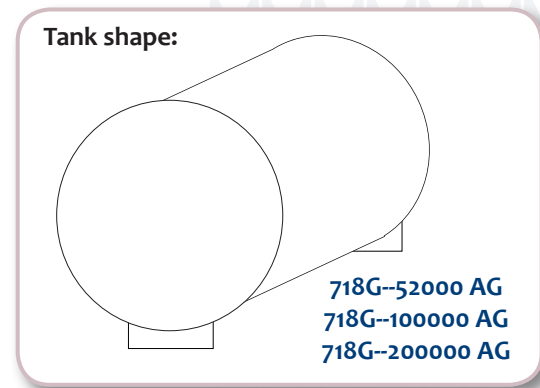
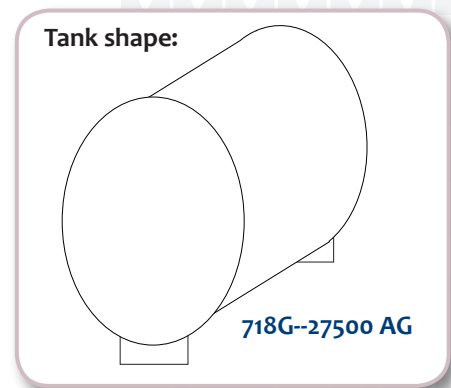
Read in inches:

Item Number	Description	Height	List Price
718--7200 AG	Liquid level gauge for tanks up to 72"	72"	\$158.00
718--10800 AG	Liquid Level Gauge for tanks up to 108"	108"	\$158.00

Read in gallons:

Item Number	Description	Tank Capacity	Diameter	Length	Width	Height	List Price
718G--27500 AG	Liquid level gauge	275 gallons	N/A	60"	27"	44"	\$158.00
718G--52000 AG	Liquid level gauge	520 gallons	48"	68"	N/A	N/A	\$158.00
718G--100000 AG	Liquid level gauge	1,000 gallons	64"	72"	N/A	N/A	\$158.00
718G--200000 AG	Liquid level gauge	2,000 gallons	64"	144"	N/A	N/A	\$158.00

*Contact Customer Service for interest in metric models.



Scan to watch installation video