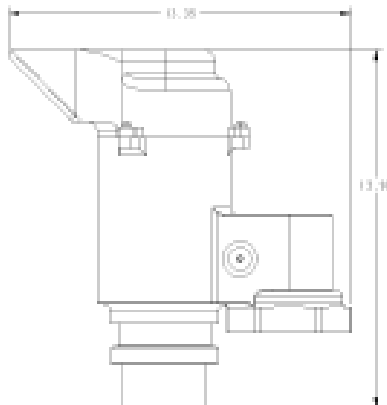


Fig. 748A Pressure/Vacuum Vents

Specification Sheet



The Morrison Fig. 748A pressure/vacuum vent is designed for "normal" venting of Aboveground Storage Tanks. It Allows tanks to "breathe" during filling and withdrawing operations. Pressure/ Vacuum poppets seal vapors in the tank when pressure is equalized. This vent must be used in conjunction with an emergency vent and it is recommended that the opening pressure setting is set below that of the emergency vent so the normal vent relieves first.

SPECIFICATION OPTIONS:

- A**—Size: N.P.T. Threads
- B**—Pressure setting in oz. /sq. in.
- C**—Venting capacity / CFH in 1000's at 2.5 P.S.I.
- D**—Vacuum setting in oz. / sq. in.
- E**—Poppet/Seat material: Brass (BR) or Aluminum seats with Aluminum/PTFE poppets (ALT)
- F**—Body/Hood material: Aluminum (AL)
- G**—Dryer connection: Male (M), Female (F), No connection (NO)
- H**—Height of vent (inches)
- I**—Width of vent (inches)
- J**—Shipping Weight (lbs.)

Pressure weight: Lead, Spring-Stainless Steel (748ALT Only)
 Vacuum Gasket: Fuel resistant material
 Screen: 30 mesh stainless steel
 Vents discharge outward and upward in compliance with NFPA 30 and are field-adjustable with tripolar orientation.

I.D. NUMBER	A	B	C	D	E	F	G	H	I	J
748A---0100 AV	2	2	20.2	1	BR	AL	NO	10.37	9.68	6.75
748A---0200 AV	2	4	20.2	1	BR	AL	NO	10.37	9.68	7.5
748A---0300 AV	2	6	20.2	1	BR	AL	NO	10.37	9.68	8.25
748A---0400 AV	2	8	20	1	BR	AL	NO	10.37	9.68	9.25
748A---0500 AV	2	12	18.6	1	BR	AL	NO	10.37	9.68	10.5
748A---0600 AV	2	16	18	1	BR	AL	NO	10.37	9.68	11
748A---0700 AV	2	2	20.2	1	BR	AL	M	12.12	13.37	6.75
748A---0800 AV	2	4	20.2	1	BR	AL	M	12.12	13.37	7.5
748A---0900 AV	2	6	20.2	1	BR	AL	M	12.12	13.37	8.25
748A---1000 AV	2	8	20	1	BR	AL	M	12.12	13.37	9.25
748A---1100 AV	2	12	18.6	1	BR	AL	M	12.12	13.37	10.5
748A---1200 AV	2	16	18	1	BR	AL	M	12.12	13.37	11
748A---1500 AV	2	8	20							9.25
748ALT0100 AV	2	8	20.2	1	ALT	AL	NO	10.37	9.68	5.5
748ALT0200 AV	2	16	18	1	ALT	AL	NO	10.37	9.68	5.5
748ALT0300 AV	2	32	NA	1	ALT	AL	NO	10.37	9.68	5.5
748ALT0800 AV	2	8	20.2	1	ALT	AL	M	12.12	13.37	6
748ALT0900 AV	2	16	18	1	ALT	AL	M	12.12	13.37	6
748ALT1400 AV	2	8	NA	1	ALT	AL	NO	10.33	8.25	5
748ALT1500 AV	2	16	NA	1	ALT	AL	NO	10.33	8.25	5
748ALT2000 AV	2	8	NA	1	ALT	AL	M	10.33	8.25	5.5
748ALT2100 AV	2	16	NA	1	ALT	AL	M	10.33	8.25	5.5

WARNING: DO NOT FILL OR UNLOAD FUEL FROM A STORAGE TANK UNLESS IT IS CERTAIN THAT THE TANK VENTS WILL OPERATE PROPERLY.

Morrison tank vents are designed only for use on shop fabricated atmospheric tanks which have been built and tested in accordance with UL 142, NFPA 30 & 30A, and API 650 and in accordance with all applicable local, state, and federal laws. In normal operation, dust and debris can accumulate in vent openings and block air passages. Certain atmospheric conditions such as a sudden drop in temperature, below freezing temperatures, and freezing rain can cause moisture to enter the vent and freeze which can restrict internal movement of vent mechanisms and block air passages. All storage tank vent air passages must be completely free of restriction and all vent mechanisms must have free movement in order to insure proper operation. Any restriction of airflow can cause excessive pressure or vacuum to build up in the storage tank, which can result in structural damage to the tank, fuel spillage, property damage, fire, injury, and death. Monthly inspection, and immediate inspection during freezing conditions, by someone familiar with the proper operation of storage tank vents, is required to insure venting devices are functioning properly before filling or unloading a tank.

WARNING: Normal vents such as pressure vacuum and updraft vents for aboveground storage tanks should be sized according to NFPA 30 (2008) 21.4.3