

Morrison Bros. Co. Fig. 9095A

www.morbros.com

AST Overfill Prevention Valve

The 9095A AST Overfill Prevention Valve is installed at the fill port of an aboveground storage tank. Used in a tight fill application, the valve terminates flow of product when the liquid level reaches a preset warning level (90-95% full). The valve is installed on a standard N.P.T. male connection when used with the quick disconnect or female adaptor. When installed to manufacturers requirements the Overfill Prevention Valve can eliminate environmentally hazardous spills. A built-in bleed hole also provides anti-syphoning protection. ULC Listed.

The valve can be used in conjunction with the Morrison Fig. 518 and 515 lines of AST Spill Containers for added spill protection. All models are supplied with an adaptor to mount Morrison Fig. 419 aluminum drop tubes. A test mechanism is also sold separately for denoted models. The test mechanism allows a technician to pull on the test line at any time during the filling process to actuate the float and stop the fill. This allows a technician to verify the valve is working properly.

This Valve Complies With the Following Codes:

NFPA 30, 30A, UFC, BOCA, SBCCI/SFC and PEI /RP2000

Product Warnings and Cautions:

- 5 PSI & 5 GPM is the *minimum* flow requirement for valve operation at the following *maximum* viscosities (in centistokes): 2" Valve—150 3" Valve—60.
- Maximum flow rate of the 2" valve is 125 GPM at 100 PSI. The 3" valve is 300 GPM at 100 PSI.
- The valve cannot leak more than 1.5 GPM.
- A tight fill is required for the valve to operate. Do not substitute any other fill adaptors for the special adaptor supplied.
- The valve must be used with clean product. Debris from products such as contaminated waste oil may cause the valve to function improperly.
- Consult Morrison Bros. Co. for product compatibility with the valve.
- The 3" valve can be used w/6" Sch. 40 or 80 pipe.
- The 2" and 4" valves can only be used with Sch. 40 pipe.
- These valves are rated for a maximum pressure of 100 PSI.
- Not suitable for motor oil or other heavy oils.

Failure to follow any or all of the above warnings may render the valve non-functional and could result in a hazardous product spill, which may result in personal injury, property damage, fire, explosion or environmental contamination.

Specification/Detail Options:

A—Body Size: 2" N.P.T. (2"), 3" N.P.T. (3") (BSP Models Available)

B—Adaptor :

- (2S): 2" x 4" Standard 2" Male Disconnect x 4" Female
- (2X): 2" Quick Disconnect Adaptor
- (2D): 2" x 2" x 4" Female Ductile Iron Adaptor
- (3S4): 3" x 4" Standard 3" Male Disconnect x 4" Female
- (3F): 3" x 4" Standard 3" Female x 4" Female With Line Purge
- (3S): 3" x 6" Standard 3" Male Disconnect x 6" Female
- (3X): 3" Quick Disconnect Adaptor
- (3D): 3" x 3" x 6" Female Ductile Iron Adaptor

C—Gasoline Shutoff Height From Top of Valve (Inches)

D—Diesel Shutoff Height From Top of Valve (Inches)

E—Test Mechanism: Yes (Y) or No (N)

HT.—Height: Dimension from base to top of valve (Inches)

WT.—Shipping Weight (lbs.)

Body: Anodized Aluminum

Internal Components: Brass/Stainless Steel

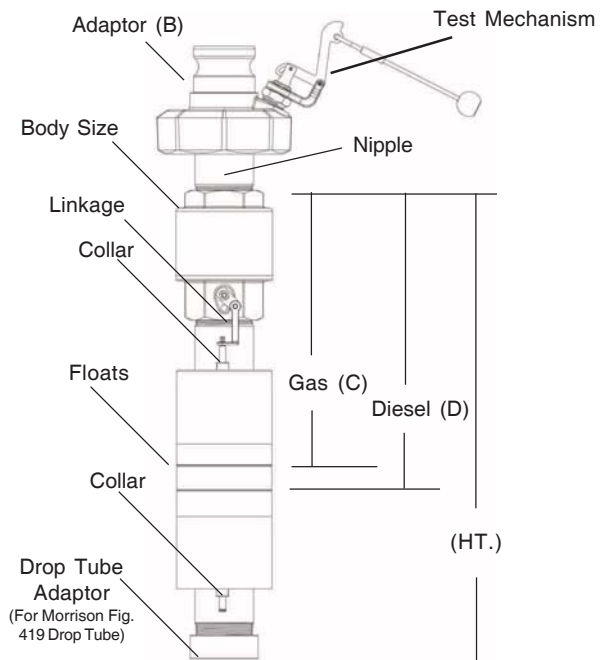
Linkage: Stainless Steel



SHOWN WITH
STANDARD
ADAPTOR
9095A-0200 AV or
9095A-0300 AV

SHOWN WITH
FEMALE
ADAPTOR
9095A-3200 AV or
9095A-3300 AV

SHOWN WITH TEST
MECHANISM
9095ATM0100 AM



Specification Options:

I.D. NUMBER	A	B	C	D	E	HT.	WT.
9095A-0200 AV	2"	2S	11	12	Y	19.25	14.1
9095A-3200 AV	2"	2D	11	12	Y	19.25	14.1
9095A-0500 AV	2"	2X	11	12	N	19.25	12.6
9095A-0300 AV	3"	3S	13.56	13.75	Y	19.56	29
9095A-0600 AV	3"	3X	13.56	13.75	N	19.56	26
9095A-3300 AV	3"	3D	13.56	13.75	Y	19.56	38
9095A-4000 AV	2"	3S4	11.67	12.67	N	19.9	
9095A-4200 AV	2"	3F	11.67	12.67	N	19.9	

9095ATM0100 AM Mechanical Test Mechanism Assembly
(Existing Valve May Require New Top for Retrofit)

P.O. Box 238 • Dubuque, Iowa 52004-0238
563.583.5701 (tel) • 800.553.4840 • 563.583.5028 (fax)
www.morbros.com