

Model 9095ATM Test Mechanism Assembly

SPECIFICATION SHEET

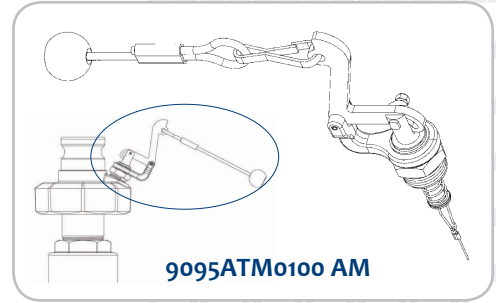
Application

The Morrison 9095 test mechanisms allow a technician to test the line at any time during the filling process to actuate the float and stop the fill. This allows a technician to verify that the overflow prevention valve is working properly.

These mechanical test mechanisms are installed on the valve during tank installation.

Morrison's overflow prevention valve test mechanisms meet the overflow prevention valve testing protocol requirements listed in the inspection and maintenance sections of the following industry regulations and standards:

- NFPA 30
- EPA 40 CFR Part 112.8 (SPCC)
- STI-SP001
- RP600



Kits for
pre-2006
9095A
valves

Item Number	Description
9095ATM0100 AM	Mechanical test mechanism for 2" and 3" 9095AA series (does not include valve top)
9095ATM0200 AK	Mechanical test mechanism; includes AA 0200 top, aluminum with 2" male quick disconnect x 4" female threads
9095ATM3200 AK	Mechanical test mechanism; includes AA 3200 top, ductile iron with 2" female threaded x 4" female threaded connection
9095ATM0300 AK	Mechanical test mechanism; includes AA 0300 top, aluminum with 3" male quick disconnect x 6" female threads
9095ATM3300 AK	Mechanical test mechanism; includes AA 3300 top, ductile iron with 3" female threaded x 6" female threaded connection
9095CTM0100 AM	Mechanical test mechanism for 9095C series overflow valves
9095ATM1000 AK	Mechanical test mechanism kit for all 9095X series overflow valves and 9095AA4000 AV model

*No mechanical test mechanism available for 9095AA4200 AVEVR.