

Fig. 9095DS Series

Pressurized Fill Overfill Prevention Valve

The 2" Morrison Overfill Prevention Valve is designed for use on low profile top loading storage tanks that require a high level shut-off. Once the product reaches the preset level the valve will close and allow minimal liquid to pass through to relieve the fill line pressure. The valve can be retrofitted on existing tanks and fits into a 2" opening. This valve accepts a 1 1/2" male threaded drop tube (not included).

FEATURES

- Fits a 2" opening and accepts a drop tube.
- Integral mechanical test mechanism.
- The valve design allows for a full flow up until the shut-off height.
- The valve shut-off height is factory preset and is measured from the bottom of the attachment threads. Stock heights include:

Shut Off Height	Model Number
2" w/Part F	9095DS0200 AV
2" w/Part A	9095DS2200 AV
4" w/Part F	9095DS0400 AV
4" w/Part A	9095DS2400 AV
6" w/Part F	9095DS0600 AV
6" w/Part A	9095DS2600 AV

*BSP Threads Are Also Available.

- The valve flow rate is 60 GPM at 60 PSI pressure drop.
- The valve flow rate is 26 GPM at 10 PSI pressure drop.
- 2" 305C Locking Cap is sold separately.

REQUIREMENTS

- A pressurized tight fill connection is required for operation.
- 10 PSI & 5 GPM are the minimum pressure and flow requirements for valve operation. The maximum fluid viscosity is 150 centistokes. The maximum operating pressure is 100 PSI.

INSTALLATION INFORMATION

The valve can be installed in various tank configurations:

- Installed directly onto a 2" female threaded opening in the tank top.
- Installed between a Morrison 516, 517 or 518 Spill Container and the tank top.

This valve should be used in conjunction with a gauging or warning system such as a Morrison Fig. 818 or 918.

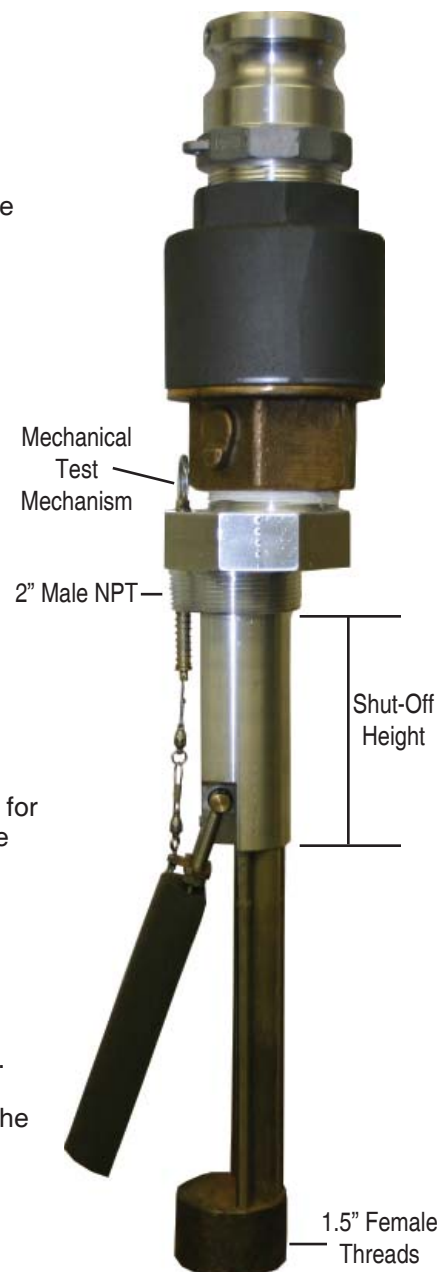


Fig. 9095DS Series

