

Model 9095DS Overfill Prevention Valve

The 2" Morrison Overfill Prevention Valve is designed for use on low profile top loading storage tanks that require a high level shut-off. Once the product reaches the preset level the valve will close and allow minimal liquid to pass through to relieve the fill line pressure. The valve can be retrofitted on existing tanks and fits into a 2" opening. This valve accepts a 1½" male threaded drop tube (not included).

Features

- Fits a 2" opening and accepts a drop tube.
- Integral mechanical test mechanism.
- The valve design allows for a full flow up until the shut-off height.
- The valve shut-off height is factory preset and is measured from the bottom of the attachment threads.
- Minimum shut-off height is 2" from top of tank

Size	Maximum Pressure	Maximum Viscosity
2"	100 PSI	150 Centistokes

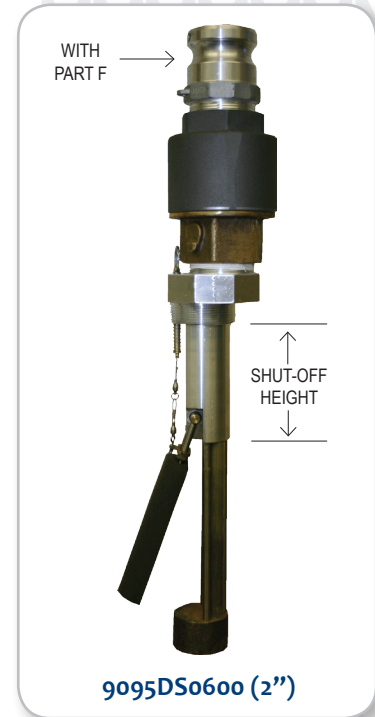
	Item Number	Valve Size	Tank Opening	Inlet Size & Type	Weight (lbs)
with Part F	9095DS0200 AV	2"	2"	Valve with 2" shut-off height	8.50
	9095DS0400 AV	2"	2"	Valve with 4" shut-off height	9.0
	9095DS0600 AV	2"	2"	Valve with 6" shut-off height	9.50
with Part A	9095DS2200 AV	2"	2"	Valve with 2" shut-off height	8.50
	9095DS2400 AV	2"	2"	Valve with 4" shut-off height	9.0
	9095DS2600 AV	2"	2"	Valve with 6" shut-off height	9.50
Less Adaptor	9095DS9200 AV	2"	2"	Valve with 2" shut-off height	8.0
	9095DS9400 AV	2"	2"	Valve with 4" shut-off height	8.50
	9095DS9600 AV	2"	2"	Valve with 6" shut-off height	9.0

*Consult Price List for BSP options.

Product Warnings and Cautions

- A pressurized tight fill connection is required for operation.
- 10 PSI is the minimum pressure and flow requirements for valve operation. Valve will NOT function in gravity fill applications.
- The maximum fluid viscosity is 150 centistokes.
- The maximum operating pressure is 100 PSI.
- The valve flow rate is 60 GPM at 60 PSI pressure drop.
- The valve flow rate is 26 GPM at 10 PSI pressure drop.
- 2" 305C Locking Cap is sold separately.
- Consult Morrison Bros. Co. for product compatibility with the valve.

SPECIFICATION SHEET



NOTE
For use on clean product only.
Not suitable for motor oil.

Installation Information, Code Compliance, and Flow Chart on next page.



Installation Information

The valve can be installed in various tank configurations:

- Installed directly onto a 2" female threaded opening in the tank top.
- Installed between a Morrison 516M, 517, or 518M Spill Container and the tank top.

Code Compliance

NFPA 30, 30A, UFC, IFC, PEI/RP 200, and PEI/RP 600

