

Model 9095ATM Test Mechanism Assembly

NEW PRODUCT ANNOUNCEMENT

Application

The 9095X is a top-fill overflow prevention valve designed to prevent overfilling storage tanks by providing a positive shut-off during a pressurized fill.

Features

- Fill adaptor and shut-off mechanism are factory-assembled for ease of field installation
- Straight female threaded adaptor facilitates valve installation to a precise set point
- Minimum shut-off height is 1" from the tank top
- Full flow to shut-off point, cushioned closure eliminates shock
- Drop tube adaptor accepts 2" drop fill tubes (Morrison 419)
- Integral pressure relief
- Integral anti-siphon function
- 305C--2000 cap included with 1100 and 2200 models

Options

- Mechanical Test Mechanism
 - Verify the operation of the valve by activating the test mechanism at any time during the filling processAvailable on all models

Materials of Construction

- Direct fill adaptor...passivated aluminum
- Remote fill adaptor...powder coated ductile iron & stainless steel
- Shaft, linkage and hardware...stainless steel
- Lower pipe nipple...e-coated steel
- Body... passivated aluminum
- Drop tube adaptor... passivated aluminum

Operational Criteria

- Minimum 5 PSI flow requirements
- Maximum operating pressure is 100 PSI
- Maximum viscosity of 300 centistokes
- A tight fill connection is required for the valve to operate
- The estimated flow rate is 230 GPM at 10 PSI pressure drop (See flow curve on next page)

Code Compliance

ULC-S661-10 listed, NFPA 30, 30A, UFC, IFC, PEI/RP 200, PEI/RP 600, Florida DEP EQ-858, and California EVR models available



NOTE
For use on clean liquids only.



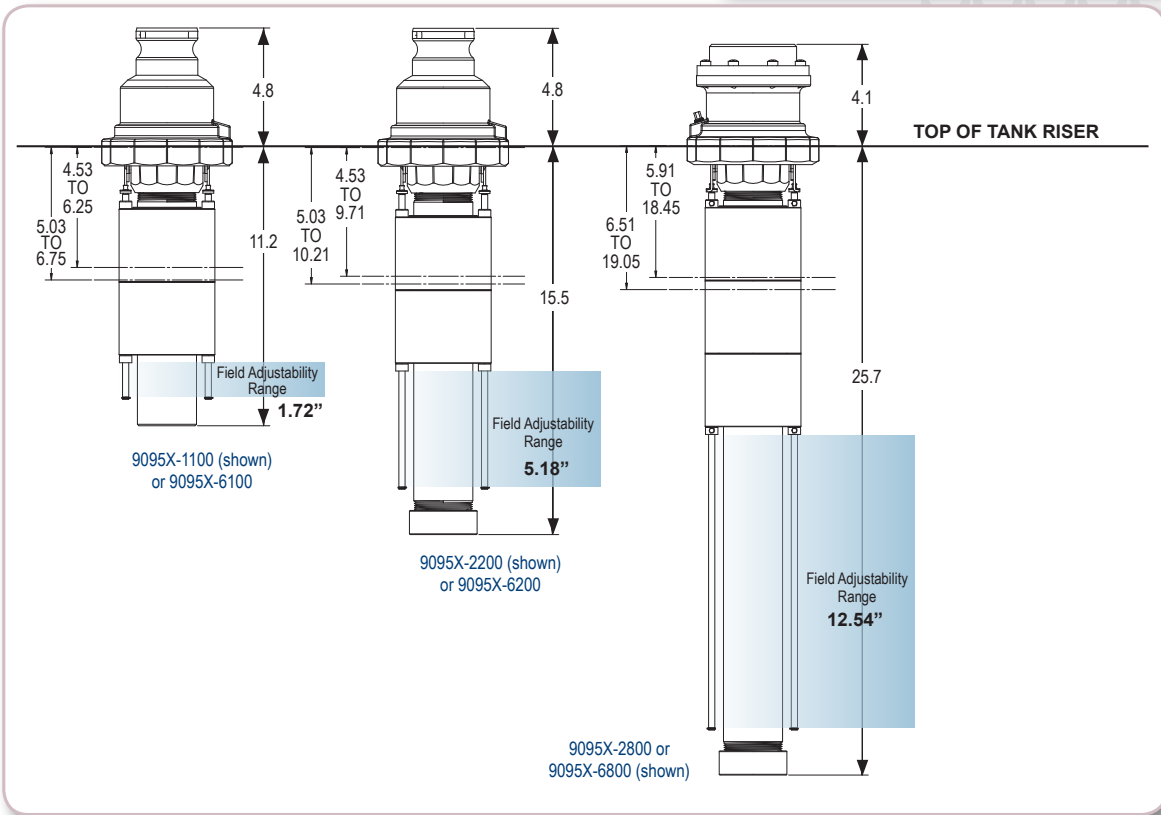
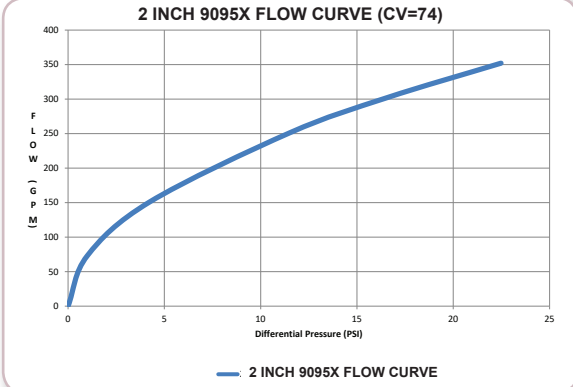
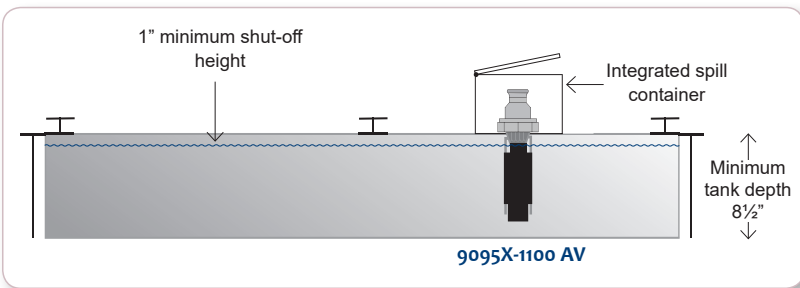
Model 9095X Overfill Prevention Valve (continued)

NEW PRODUCT ANNOUNCEMENT

Item Number	Inlet Size	Tank Connection Size	Drop Tube	Fill Connection	Cap Included	Test Mechanism Available	Application	Weight (lbs)	List Price
9095X-1100 AV	2"	4"	No	Direct fill	Y	Y	Generator base tanks with integrated spill container	6.50	\$853.12
9095X-6100 AV	2"	4"	No	Remote fill	N	Y	Generator base tanks with integrated spill container	8.00	\$907.32
9095X-2200 AV	2"	4"	Yes	Direct fill	Y	Y	Low profile tanks; integrated spill container	15.00	\$1,000.03
9095X-6200AVEVR	2"	4"	Yes	Remote fill	N	Y	Low profile tanks; integrated spill container	10.50	\$1,018.55
9095X-2800 AV	2"	4"	Yes	Direct fill	N	Y	General purpose and aviation	14.80	\$1,117.92
9095X-6800AVEVR	2"	4"	Yes	Remote fill	N	Y	General purpose and aviation	15.00	\$1,117.92
9095ATM1000 AK							Test mechanism for 9095X series		\$120.12

EVR

EVR



570 E. 7th Street, P.O. Box 238 | Dubuque, IA 52004-0238
t. 563.583.5701 | 800.553.4840 | f. 563.583.5028



MORRISON BROS. CO.

www.morbros.com