

# Model 924LS Liquid Sensor

NEW PRODUCT ANNOUNCEMENT

The 924LS is a stainless steel float-actuated sensor capable of detecting the presence of liquid in containment areas.

## Features and Details

- Compatible with all 918 tank alarms and system interfaces
- 1/2" male NPT connection point to allow for rigid piping installations
- Balanced for increased stability when free-standing on flat containment surfaces
- 3/8" and 1/2" cable connector included

## Materials of Construction

- Teflon® coated wires in Teflon® coated jacket
- Fuel compatible Nitrophenyl float
- 304 Stainless steel shroud

## Applications

- Interstitial space of double wall tanks
- Containment sumps
- Dispenser pans
- Other applications requiring the detection of a liquid leak

## Liquid Detection Level

Normally Open (NO) 0.625 ± 0.125

Normally Closed (NC) 0.125 + 0.125 / - 0.0

## Approved Use Locations

UL/ULC Class I, Div 1, Group D (when used in conjunction with the model 918AC, model 918S/D/Q, and model 918SB)

## Electric Switch Ratings

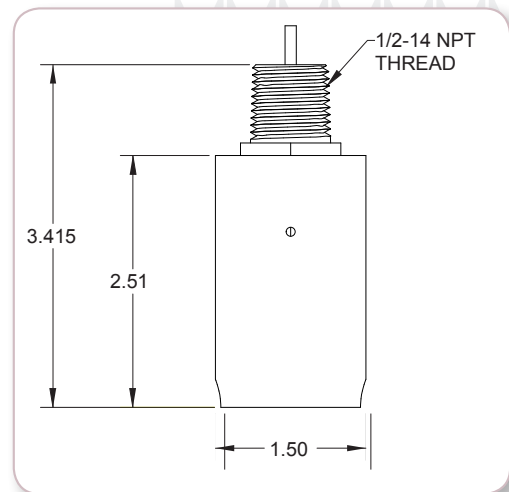
5 watt resistive load, 100VAC-250mA max / 140VDC-350mA max

*\*Switch ratings are for resistive loads only.*

*\*Do not use for inductive loads.*

## Approvals

National Work Group on Leak Detection Evaluations list ([www.nwglde.org](http://www.nwglde.org));  
Florida DEP EQ-862



Item Number	Description	Weight (lbs)	List Price
924LS-0150 AS	Level sensor with 15' lead wire	.80	\$243.45
924LS-0250 AS	Level sensor with 25' lead wire	1.0	\$265.30
924LS-0600 AS	Level sensor with 60' lead wire	1.0	\$489.00
925---0113 2B	Conduit junction housing (NEMA 4)		\$18.93
925---0114 2B	Conduit junction housing (NEMA 7, Group C & D)		\$99.84

570 E. 7th Street, P.O. Box 238 | Dubuque, IA 52004-0238  
t. 563.583.5701 | 800.553.4840 | f. 563.583.5028

[www.morbros.com](http://www.morbros.com)