

Model 925 Multi-Level Sensor

NEW PRODUCT ANNOUNCEMENT

Application

Float-activated simple switch device capable of sensing liquid levels from 1 to 5 specified set points.

Features and Details

- 1 to 5 user-specified liquid level set points (1 $\frac{1}{8}$ " minimum to 141 $\frac{3}{4}$ " maximum set point range)
- 3" stem height adjustability (downward) to assist in desired set point alignment
- Installs into a 2" NPT female threaded opening
- $\frac{1}{2}$ " NPT fitting at top of sensor
- 24" lead wire length
- Normally open or normally closed switch orientations available (specified at time of order)
- Audible and visual alarm functionality when paired with Morrison 918AC System Interface or 918S/D/Q Tank Alarm

Materials of Construction

- Wires... Teflon[®] jacketed wires
- Floats... Nitrophenyl[®]-M (925); 316 stainless steel (925S)
- Stem... brass (925); 304 stainless steel (925S)
- Bushing... e-coated steel (925); 304 stainless steel (925S)

Operational Criteria—Electrical Switch Ratings

- 100 watt resistive load, 300VAC - 700mA max / 350VDC - 1.0A max, SPST

**Switch ratings are for resistive loads only.*

**Do not use for inductive loads.*

Approved Use Locations

UL/ULC Class I, Div 1, Group D (when used in conjunction with the model 918AC, model 918S/D/Q, and model 918SB)

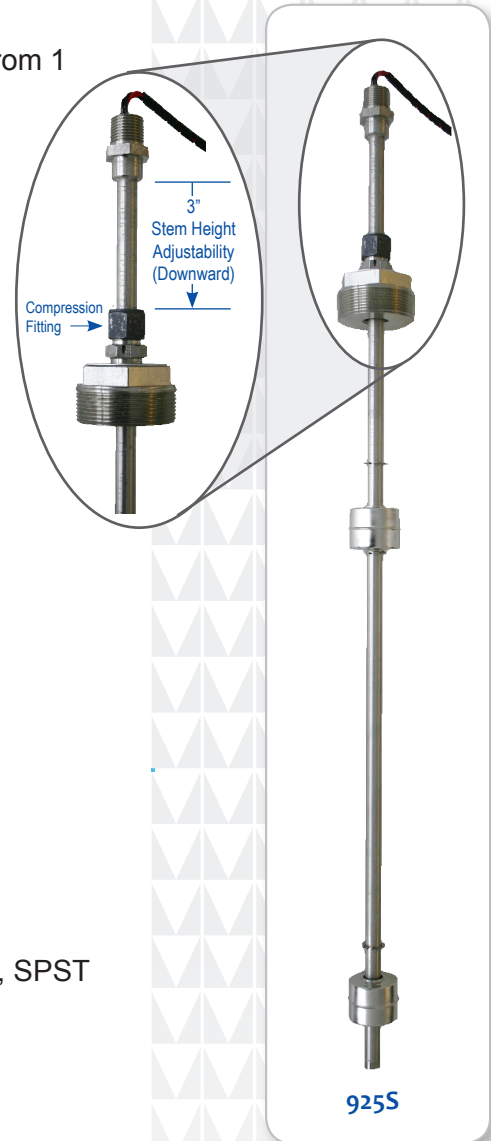
Ordering

To order, please complete the **925 Multi-Level Sensor Order Form** and send with your purchase order to Morrison Bros. Please note that each unit is made to order specifically to the requirements on the order form; longer lead times may apply.

Approvals

National Work Group on Leak Detection Evaluations list (www.nwglde.org); Florida DEP EQ-862

Item numbers on next page.



Package pricing available when purchased with a 918AC system interface or 918S/D/Q tank alarm.



Model 925 Multi-Level Sensor (continued)

NEW PRODUCT ANNOUNCEMENT

Item Number	Number of Floats	Stem Material	Stem Length	Weight (lbs)	List Price
925---1030 AS	1	Brass	3 $\frac{3}{8}$ " to 36"	5.00	\$306.00
925---1060 AS	1	Brass	Greater than 36" to 72"	8.50	\$367.20
925---1090 AS	1	Brass	Greater than 72" to 108"	10.50	\$428.40
925---1120 AS	1	Brass	Greater than 108" to 144"	13.00	\$489.60
925---2030 AS	2	Brass	3 $\frac{3}{8}$ " to 36"	5.00	\$418.20
925---2060 AS	2	Brass	Greater than 36" to 72"	8.50	\$479.40
925---2090 AS	2	Brass	Greater than 72" to 108"	10.50	\$540.60
925---2120 AS	2	Brass	Greater than 108" to 144"	13.00	\$601.80
925---3030 AS	3	Brass	3 $\frac{3}{8}$ " to 36"	5.00	\$530.40
925---3060 AS	3	Brass	Greater than 36" to 72"	8.50	\$591.60
925---3090 AS	3	Brass	Greater than 72" to 108"	10.50	\$652.80
925---3120 AS	3	Brass	Greater than 108" to 144"	13.00	\$714.00
925---4030 AS	4	Brass	3 $\frac{3}{8}$ " to 36"	5.00	\$642.60
925---4060 AS	4	Brass	Greater than 36" to 72"	8.50	\$703.80
925---4090 AS	4	Brass	Greater than 72" to 108"	10.50	\$765.00
925---4120 AS	4	Brass	Greater than 108" to 144"	13.00	\$826.20
925---5030 AS	5	Brass	3 $\frac{3}{8}$ " to 36"	5.00	\$754.80
925---5060 AS	5	Brass	Greater than 36" to 72"	8.50	\$816.00
925---5090 AS	5	Brass	Greater than 72" to 108"	10.50	\$877.20
925---5120 AS	5	Brass	Greater than 108" to 144"	13.00	\$938.40
<hr/>					
925S--1030 AS	1	Stainless steel	3 $\frac{3}{8}$ " to 36"	5.00	\$632.40
925S--1060 AS	1	Stainless steel	Greater than 36" to 72"	8.50	\$765.00
925S--1090 AS	1	Stainless steel	Greater than 72" to 108"	10.50	\$897.60
925S--1120 AS	1	Stainless steel	Greater than 108" to 144"	13.00	\$1,030.20
925S--2030 AS	2	Stainless steel	3 $\frac{3}{8}$ " to 36"	5.00	\$744.60
925S--2060 AS	2	Stainless steel	Greater than 36" to 72"	8.50	\$877.20
925S--2090 AS	2	Stainless steel	Greater than 72" to 108"	10.50	\$1,009.80
925S--2120 AS	2	Stainless steel	Greater than 108" to 144"	13.00	\$1,142.40
925S--3030 AS	3	Stainless steel	3 $\frac{3}{8}$ " to 36"	5.00	\$856.80
925S--3060 AS	3	Stainless steel	Greater than 36" to 72"	8.50	\$989.40
925S--3090 AS	3	Stainless steel	Greater than 72" to 108"	10.50	\$1,122.00
925S--3120 AS	3	Stainless steel	Greater than 108" to 144"	13.00	\$1,254.60
925S--4030 AS	4	Stainless steel	3 $\frac{3}{8}$ " to 36"	5.00	\$969.00
925S--4060 AS	4	Stainless steel	Greater than 36" to 72"	8.50	\$1,101.60
925S--4090 AS	4	Stainless steel	Greater than 72" to 108"	10.50	\$1,234.20
925S--4120 AS	4	Stainless steel	Greater than 108" to 144"	13.00	\$1,366.80
925S--5030 AS	5	Stainless steel	3 $\frac{3}{8}$ " to 36"	5.00	\$1,081.20
925S--5060 AS	5	Stainless steel	Greater than 36" to 72"	8.50	\$1,213.80
925S--5090 AS	5	Stainless steel	Greater than 72" to 108"	10.50	\$1,346.40
925S--5120 AS	5	Stainless steel	Greater than 108" to 144"	13.00	\$1,479.00
<hr/>					
925---0113 2B	Conduit junction housing (NEMA 4)				\$18.93
925---0114 2B	Conduit junction housing (NEMA 7, Group C & D)				\$99.84

570 E. 7th Street, P.O. Box 238 | Dubuque, IA 52004-0238
t. 563.583.5701 | 800.553.4840 | f. 563.583.5028

www.morbros.com



MORRISON BROS. CO.