

Model 925 Multi-Level Sensor

SPECIFICATION SHEET

Application

Float-activated simple switch device capable of sensing liquid levels from 1 to 5 specified set points.

Features and Details

- 1 to 5 user-specified liquid level set points (1 $\frac{1}{8}$ " minimum to 141 $\frac{3}{4}$ " maximum set point range)
- 3" stem height adjustability (downward) to assist in desired set point alignment
- Installs into a 2" NPT female threaded opening
- $\frac{1}{2}$ " NPT fitting at top of sensor
- 24" lead wire length
- Normally open or normally closed switch orientations available (specified at time of order)
- Audible and visual alarm functionality when paired with Morrison 918AC System Interface or 918S/D/Q Tank Alarm

Materials of Construction

- Wires... Teflon[®] jacketed wires
- Floats... Nitrophenyl[®]-M (925); 316 stainless steel (925S)
- Stem... brass (925); 304 stainless steel (925S)
- Bushing... e-coated steel (925); 304 stainless steel (925S)

Operational Criteria—Electrical Switch Ratings

- 100 watt resistive load, 300VAC - 700mA max / 350VDC - 1.0A max, SPST

**Switch ratings are for resistive loads only.*

**Do not use for inductive loads.*

Approved Use Locations

UL/ULC Class I, Div 1, Group D (when used in conjunction with the model 918AC, model 918S/D/Q, and model 918SB)

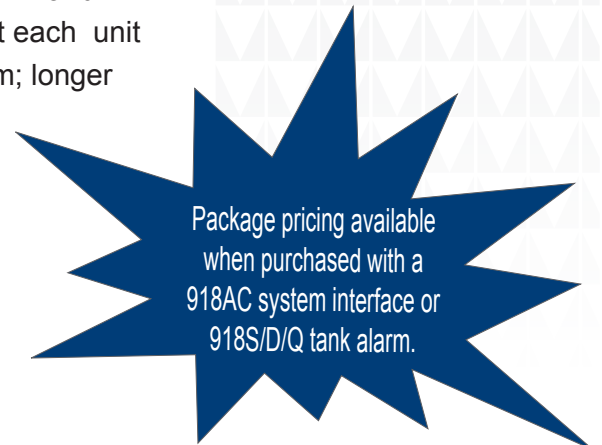
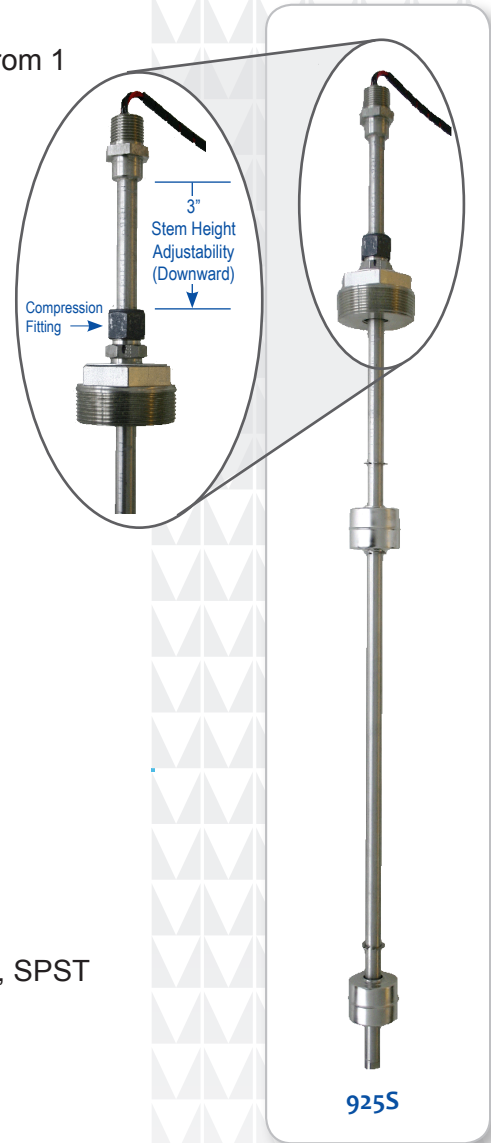
Ordering

To order, please complete the **925 Multi-Level Sensor Order Form** and send with your purchase order to Morrison Bros. Please note that each unit is made to order specifically to the requirements on the order form; longer lead times may apply.

Approvals

National Work Group on Leak Detection Evaluations list (www.nwglde.org); Florida DEP EQ-862

Item numbers on next page.





Model 925 Multi-Level Sensor (continued)

SPECIFICATION SHEET

| Item Number | Number of Floats | Stem Material | Stem Length | Weight (lbs) |
|---------------|--|-----------------|---------------------------|--------------|
| 925---1030 AS | 1 | Brass | 3 $\frac{3}{8}$ " to 36" | 5.00 |
| 925---1060 AS | 1 | Brass | Greater than 36" to 72" | 8.50 |
| 925---1090 AS | 1 | Brass | Greater than 72" to 108" | 10.50 |
| 925---1120 AS | 1 | Brass | Greater than 108" to 144" | 13.00 |
| 925---2030 AS | 2 | Brass | 3 $\frac{3}{8}$ " to 36" | 5.00 |
| 925---2060 AS | 2 | Brass | Greater than 36" to 72" | 8.50 |
| 925---2090 AS | 2 | Brass | Greater than 72" to 108" | 10.50 |
| 925---2120 AS | 2 | Brass | Greater than 108" to 144" | 13.00 |
| 925---3030 AS | 3 | Brass | 3 $\frac{3}{8}$ " to 36" | 5.00 |
| 925---3060 AS | 3 | Brass | Greater than 36" to 72" | 8.50 |
| 925---3090 AS | 3 | Brass | Greater than 72" to 108" | 10.50 |
| 925---3120 AS | 3 | Brass | Greater than 108" to 144" | 13.00 |
| 925---4030 AS | 4 | Brass | 3 $\frac{3}{8}$ " to 36" | 5.00 |
| 925---4060 AS | 4 | Brass | Greater than 36" to 72" | 8.50 |
| 925---4090 AS | 4 | Brass | Greater than 72" to 108" | 10.50 |
| 925---4120 AS | 4 | Brass | Greater than 108" to 144" | 13.00 |
| 925---5030 AS | 5 | Brass | 3 $\frac{3}{8}$ " to 36" | 5.00 |
| 925---5060 AS | 5 | Brass | Greater than 36" to 72" | 8.50 |
| 925---5090 AS | 5 | Brass | Greater than 72" to 108" | 10.50 |
| 925---5120 AS | 5 | Brass | Greater than 108" to 144" | 13.00 |
| 925S--1030 AS | 1 | Stainless steel | 3 $\frac{3}{8}$ " to 36" | 5.00 |
| 925S--1060 AS | 1 | Stainless steel | Greater than 36" to 72" | 8.50 |
| 925S--1090 AS | 1 | Stainless steel | Greater than 72" to 108" | 10.50 |
| 925S--1120 AS | 1 | Stainless steel | Greater than 108" to 144" | 13.00 |
| 925S--2030 AS | 2 | Stainless steel | 3 $\frac{3}{8}$ " to 36" | 5.00 |
| 925S--2060 AS | 2 | Stainless steel | Greater than 36" to 72" | 8.50 |
| 925S--2090 AS | 2 | Stainless steel | Greater than 72" to 108" | 10.50 |
| 925S--2120 AS | 2 | Stainless steel | Greater than 108" to 144" | 13.00 |
| 925S--3030 AS | 3 | Stainless steel | 3 $\frac{3}{8}$ " to 36" | 5.00 |
| 925S--3060 AS | 3 | Stainless steel | Greater than 36" to 72" | 8.50 |
| 925S--3090 AS | 3 | Stainless steel | Greater than 72" to 108" | 10.50 |
| 925S--3120 AS | 3 | Stainless steel | Greater than 108" to 144" | 13.00 |
| 925S--4030 AS | 4 | Stainless steel | 3 $\frac{3}{8}$ " to 36" | 5.00 |
| 925S--4060 AS | 4 | Stainless steel | Greater than 36" to 72" | 8.50 |
| 925S--4090 AS | 4 | Stainless steel | Greater than 72" to 108" | 10.50 |
| 925S--4120 AS | 4 | Stainless steel | Greater than 108" to 144" | 13.00 |
| 925S--5030 AS | 5 | Stainless steel | 3 $\frac{3}{8}$ " to 36" | 5.00 |
| 925S--5060 AS | 5 | Stainless steel | Greater than 36" to 72" | 8.50 |
| 925S--5090 AS | 5 | Stainless steel | Greater than 72" to 108" | 10.50 |
| 925S--5120 AS | 5 | Stainless steel | Greater than 108" to 144" | 13.00 |
| 925---0113 2B | Conduit junction housing (NEMA 4) | | | |
| 925---0114 2B | Conduit junction housing (NEMA 7, Group C & D) | | | |

570 E. 7th Street, P.O. Box 238 | Dubuque, IA 52004-0238
t. 563.583.5701 | 800.553.4840 | f. 563.583.5028

www.morbros.com



MORRISON BROS. CO.