

Model 925 Oil/Water Sensor

SPECIFICATION SHEET

Application

Float-activated simple switch device capable of sensing the accumulation of oil in oil/water separators.

Features and Details

- 1 to 4 user-specified liquid level set points (1 $\frac{1}{8}$ " minimum to 14 $1\frac{3}{4}$ " maximum set point range)
- Set point configuration options:
 - 1-2 interface floats (sink in oil and fuel but float on water) set to normally closed switch orientation only
 - 0-2 standard floats (float on oil, fuel, and water) set to customer's specified orientation (normally open or normally closed)
- 1" stem height adjustability (downward) to assist in desired set point alignment
- Installs into a 2" NPT female threaded opening
- $\frac{1}{2}$ " NPT fitting at top of sensor
- 24" lead wire length
- Audible and visual alarm functionality when paired with Morrison 918AC System Interface or 918S/D/Q Tank Alarm

Materials of Construction

- Wires... Teflon[®] jacketed wires
- Floats... 316 stainless steel
- Stem... brass (925); 304 stainless steel (925S)
- Bushing... e-coated steel (925); 304 stainless steel (925S)

Operational Criteria—Electrical Switch Ratings

- 100 watt resistive load, 300VAC - 700mA max / 350VDC - 1.0A max, SPST

**Switch ratings are for resistive loads only.*

**Do not use for inductive loads.*

Approved Use Locations

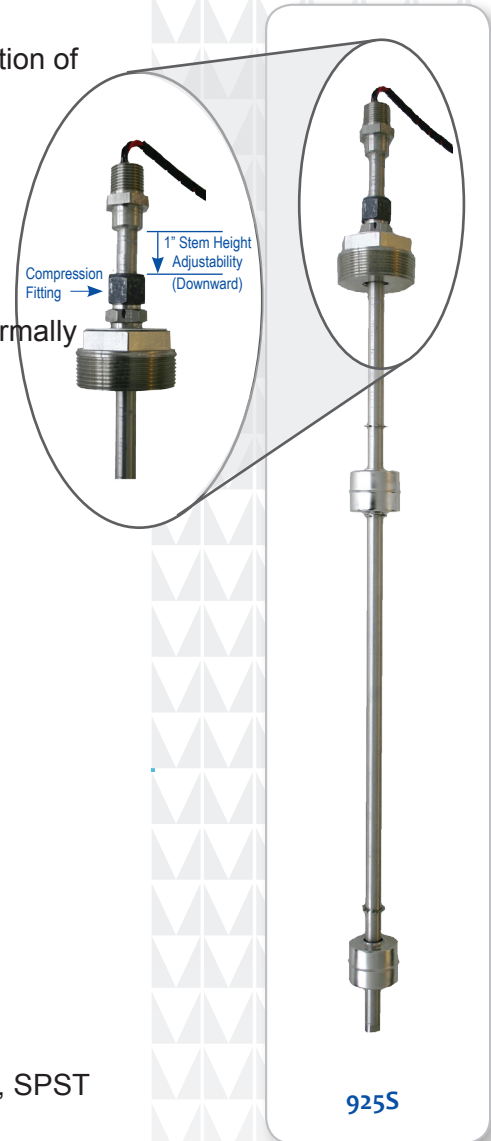
UL/ULC Class I, Div 1, Group D (when used in conjunction with the model 918AC, model 918S/D/Q, and model 918SB)

Ordering

To order, please complete the **925 Oil/Water Sensor Order Form** and send with your purchase order to Morrison Bros. Please note that each unit is made to order specifically to the requirements on the order form; longer lead times may apply.

Approvals

National Work Group on Leak Detection Evaluations list
(www.nwglde.org); Florida DEP EQ-862



Package pricing available when purchased with a 918AC system interface or 918S/D/Q tank alarm.



Item Number	Number of Floats	Stem Material	Stem Length	Weight (lbs)
925---W10030 AS	1 Interface / 0 Standard	Brass	3 $\frac{3}{8}$ " to 36"	5.00
925---W10060 AS	1 Interface / 0 Standard	Brass	Greater than 36" to 72"	8.50
925---W10090 AS	1 Interface / 0 Standard	Brass	Greater than 72" to 108"	10.50
925---W10120 AS	1 Interface / 0 Standard	Brass	Greater than 108" to 144"	13.00
925---W11030 AS	1 Interface / 1 Standard	Brass	3 $\frac{3}{8}$ " to 36"	5.00
925---W11060 AS	1 Interface / 1 Standard	Brass	Greater than 36" to 72"	8.50
925---W11090 AS	1 Interface / 1 Standard	Brass	Greater than 72" to 108"	10.50
925---W11120 AS	1 Interface / 1 Standard	Brass	Greater than 108" to 144"	13.00
925---W12030 AS	1 Interface / 2 Standard	Brass	3 $\frac{3}{8}$ " to 36"	5.00
925---W12060 AS	1 Interface / 2 Standard	Brass	Greater than 36" to 72"	8.50
925---W12090 AS	1 Interface / 2 Standard	Brass	Greater than 72" to 108"	10.50
925---W12120 AS	1 Interface / 2 Standard	Brass	Greater than 108" to 144"	13.00
925---W20030 AS	2 Interface / 0 Standard	Brass	3 $\frac{3}{8}$ " to 36"	5.00
925---W20060 AS	2 Interface / 0 Standard	Brass	Greater than 36" to 72"	8.50
925---W20090 AS	2 Interface / 0 Standard	Brass	Greater than 72" to 108"	10.50
925---W20120 AS	2 Interface / 0 Standard	Brass	Greater than 108" to 144"	13.00
925---W21030 AS	2 Interface / 1 Standard	Brass	3 $\frac{3}{8}$ " to 36"	5.00
925---W21060 AS	2 Interface / 1 Standard	Brass	Greater than 36" to 72"	8.50
925---W21090 AS	2 Interface / 1 Standard	Brass	Greater than 72" to 108"	10.50
925---W21120 AS	2 Interface / 1 Standard	Brass	Greater than 108" to 144"	13.00
925---W22030 AS	2 Interface / 2 Standard	Brass	3 $\frac{3}{8}$ " to 36"	5.00
925---W22060 AS	2 Interface / 2 Standard	Brass	Greater than 36" to 72"	8.50
925---W22090 AS	2 Interface / 2 Standard	Brass	Greater than 72" to 108"	10.50
925---W22120 AS	2 Interface / 2 Standard	Brass	Greater than 108" to 144"	13.00
925S--W10030 AS	1 Interface / 0 Standard	Stainless steel	3 $\frac{3}{8}$ " to 36"	5.00
925S--W10060 AS	1 Interface / 0 Standard	Stainless steel	Greater than 36" to 72"	8.50
925S--W10090 AS	1 Interface / 0 Standard	Stainless steel	Greater than 72" to 108"	10.50
925S--W10120 AS	1 Interface / 0 Standard	Stainless steel	Greater than 108" to 144"	13.00
925S--W11030 AS	1 Interface / 1 Standard	Stainless steel	3 $\frac{3}{8}$ " to 36"	5.00
925S--W11060 AS	1 Interface / 1 Standard	Stainless steel	Greater than 36" to 72"	8.50
925S--W11090 AS	1 Interface / 1 Standard	Stainless steel	Greater than 72" to 108"	10.50
925S--W11120 AS	1 Interface / 1 Standard	Stainless steel	Greater than 108" to 144"	13.00
925S--W12030 AS	1 Interface / 2 Standard	Stainless steel	3 $\frac{3}{8}$ " to 36"	5.00
925S--W12060 AS	1 Interface / 2 Standard	Stainless steel	Greater than 36" to 72"	8.50
925S--W12090 AS	1 Interface / 2 Standard	Stainless steel	Greater than 72" to 108"	10.50
925S--W12120 AS	1 Interface / 2 Standard	Stainless steel	Greater than 108" to 144"	13.00
925S--W20030 AS	2 Interface / 0 Standard	Stainless steel	3 $\frac{3}{8}$ " to 36"	5.00
925S--W20060 AS	2 Interface / 0 Standard	Stainless steel	Greater than 36" to 72"	8.50
925S--W20090 AS	2 Interface / 0 Standard	Stainless steel	Greater than 72" to 108"	10.50
925S--W20120 AS	2 Interface / 0 Standard	Stainless steel	Greater than 108" to 144"	13.00
925S--W21030 AS	2 Interface / 1 Standard	Stainless steel	3 $\frac{3}{8}$ " to 36"	5.00
925S--W21060 AS	2 Interface / 1 Standard	Stainless steel	Greater than 36" to 72"	8.50
925S--W21090 AS	2 Interface / 1 Standard	Stainless steel	Greater than 72" to 108"	10.50
925S--W21120 AS	2 Interface / 1 Standard	Stainless steel	Greater than 108" to 144"	13.00
925S--W22030 AS	2 Interface / 2 Standard	Stainless steel	3 $\frac{3}{8}$ " to 36"	5.00
925S--W22060 AS	2 Interface / 2 Standard	Stainless steel	Greater than 36" to 72"	8.50
925S--W22090 AS	2 Interface / 2 Standard	Stainless steel	Greater than 72" to 108"	10.50
925S--W22120 AS	2 Interface / 2 Standard	Stainless steel	Greater than 108" to 144"	13.00
925S--0113 2B	Conduit Junction Housing, NEMA 4			
925S--0114 2B	Conduit Junction Housing, NEMA 7 Group C & D			