



1218 Electronic Tank Gauge Cellular Gateway

NEW PRODUCT ANNOUNCEMENT

Application

Provides a private internet connection (VPN) through 4G LTE cellular network (carrier can vary by location). The cellular gateway has a single Ethernet port which can be used to connect directly to a single device or to multiple devices through an Ethernet switch.

Components

- Lockable NEMA 4X enclosure
- Mounting bracket and connections for cellular device
- Power supply for cellular device
- Cellular device (*provided by OptConnect; assembled by Morrison*)
- Two (2) 4G LTE antennas

Specifications

- Operating temperature range: -40°F to 140°F (-40°C to 60°C)
- Humidity: 0% to 95% non-condensing
- System console dimensions (H x W x D): 9³/₈" x 7⁷/₈" x 4⁵/₈"
- 100-240 VAC +/- 10%, 50/60 Hz
- Supports up to five (5) 1218C consoles

Materials of Construction

- Console enclosure... Polyester fiberglass
- Mounting bracket... zinc-coated steel (corrosion resistant)



Item Number	Description	Weight (lbs)	List Price
1218C-0169 AG	Cellular Gateway Assembly	3.99	\$480*

**Price excludes cellular device. Cellular device to be provided by OptConnect. OptConnect lease or purchase contracts available:*

- *Two-year lease: \$35/month*
- *Purchase: \$295 plus \$25 month-to-month*

Contact Morrison Customer Service for additional details.

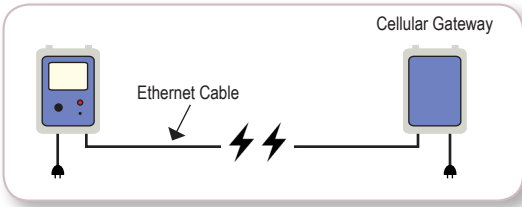
Continued on next page.



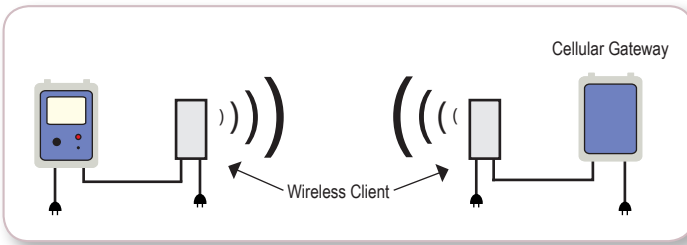


Connectivity Options

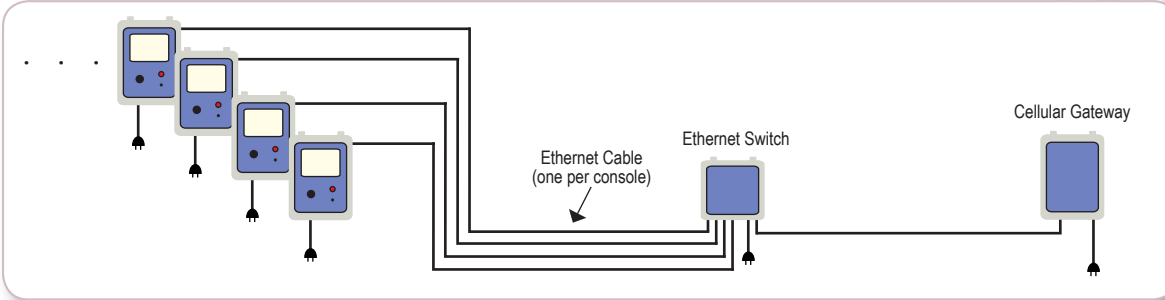
Option 1: Provide an internet connection to a single 1218C to allow email notifications and remote access.



OR



Option 2: Provide an internet connection to multiple 1218C devices at a single location.



OR

