

FMMASO-91 Series

Overfill Warning Valve for Waste Oil Systems

The FMMASO-91 Overfill Warning Valve (OWV) Series is used to shut off the air supply to the pump when the tank approaches full capacity. When the FMMASO-91 shuts off air to the pump, air is diverted to a whistle mounted on the unit to signal an alert that the tank is full. The Valve is automatically reset when the tank is emptied and air pressure is turned off. The FMMASO-91 Series is ULC Listed under Overfill Protection Devices, Type B, for Pressure Fill Applications.

Specifications

Valve Body and Collar	Anodized Aluminum
Float.....	Polypropylene
Float Rod & Valve Spool.....	Brass
O-Ring Seals.....	Viton®
Hardware	316 Stainless
Air Inlet.....	1/4" Female N.P.T.
Air Outlet.....	1/4" Female N.P.T.
Signal Port.....	1/8" Female N.P.T.
Mounting	2" Male N.P.T.
Maximum Air Pressure	150 PSI
Air Flow Capacity	20 CFM @ 100 PSI
Operating Temperature	-10° to 185° F
Weight	3.5 lbs

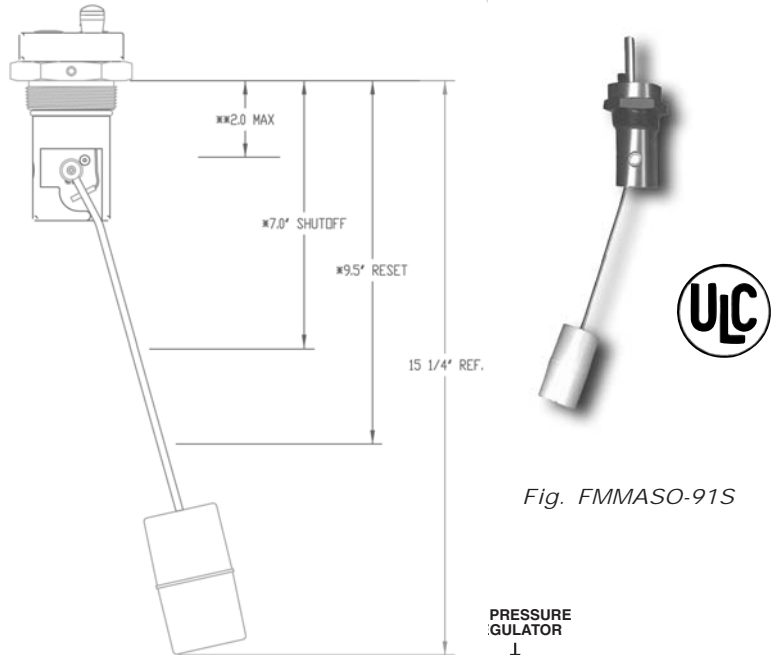


Fig. FMMASO-91S

Models

FIG (ASO-91):

Standard valve without audible signal

FIG (ASO-91S):

Standard valve with audible signal

FIG (ASO-91EX):

Same as FIG ASO-91, but with extended body for use on double wall, or vaulted tanks

FIG (ASO-91EXS):

Same as FIG ASO-91EX, but with audible signal

FIG (ATO-91):

High level turn-on for sump applications (no signal)

